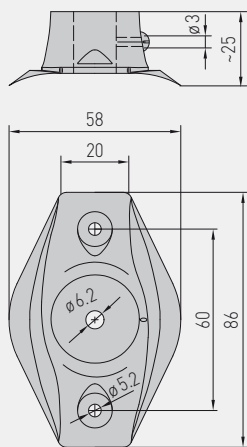


Mounting flange, plastic

Dimensional drawing **MF-06-K**

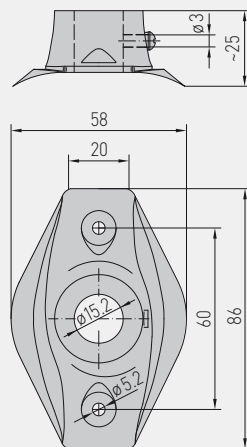


**MF-06-K**

Mounting flange, plastic



Dimensional drawing **MF-15-K**

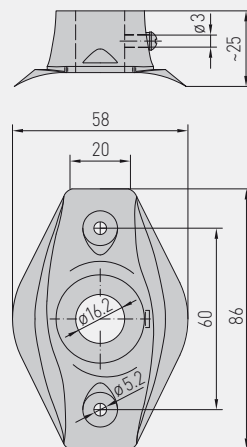


**MF-15-K**

Mounting flange, plastic



Dimensional drawing **MF-16-K**

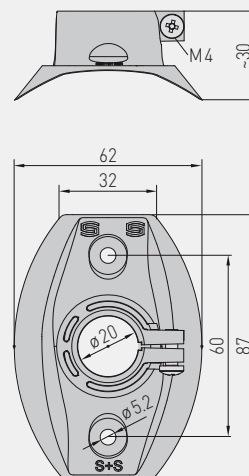


**MF-16-K**

Mounting flange, plastic



Dimensional drawing **MFT-20-K**

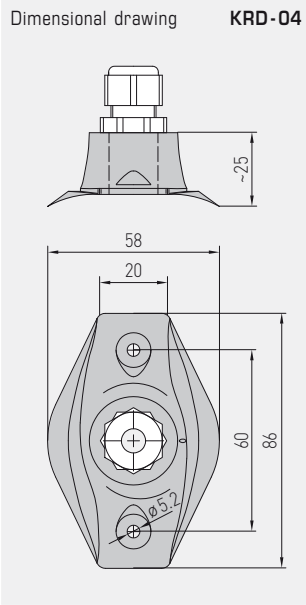


**MFT-20-K**

Mounting flange, plastic

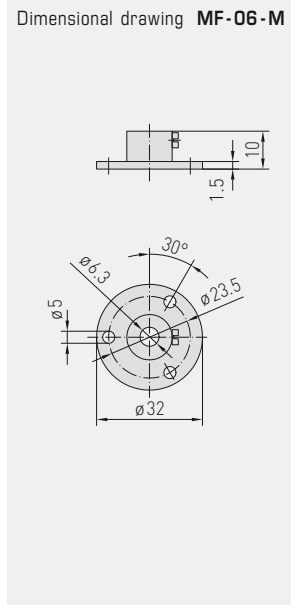


Type / WG01	Mounting flange, plastic	Tube Gland	T <sub>max</sub>	Item No.	Price
<b>MF-K</b>	for metal protective tubes!				
<b>MF-06-K</b>	Mounting flange, plastic, approx. 58 x 86 x 25 mm for mean value temperature sensors MWTF and mean value temperature measuring transducers MWTM	Ø 6.2 mm	+100 °C	7100-0030-1000-000	<b>5,16 €</b>
<b>MF-14-K</b>	Mounting flange, plastic, approx. 58 x 86 x 25 mm for duct humidity sensors KFF / KFTF and pendulum room humidity sensors RPFF / RPTF as well as for duct air flow monitors KLGf / KLSW	Ø 14.2 mm	+100 °C	7100-0030-2000-000	<b>8,06 €</b>
<b>MF-15-K</b>	Mounting flange, plastic, approx. 58 x 86 x 25 mm for temperature sensors TF (series Tyr 1) and temperature measuring transducers TM (series Tyr 1)	Ø 15.2 mm	+100 °C	7100-0032-0000-000	<b>5,16 €</b>
<b>MF-16-K</b>	Mounting flange, plastic, approx. 58 x 86 x 25 mm for duct air quality sensors KLQ	Ø 16.2 mm	+100 °C	7100-0030-0000-000	<b>8,06 €</b>
<b>MF-20-K</b>	Mounting flange, plastic, approx. 58 x 86 x 25 mm for duct sensors KCO <sub>2</sub> , KLQ - CO <sub>2</sub> , KH	Ø 20.2 mm	+100 °C	7100-0030-4000-000	<b>8,06 €</b>
<b>MFT-K</b>	for PLEUROFORM multi-channel pipes!				
<b>MFT-20-K</b>	Mounting flange, plastic, approx. 62 x 87 x 30 mm for duct sensors (series Tyr 2)	Ø 20 mm	+100 °C	7000-0031-0000-000	<b>8,06 €</b>



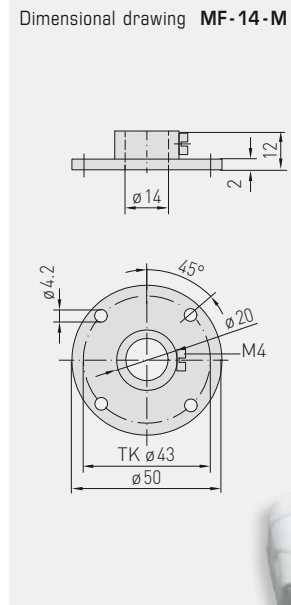
**KRD-04**

Capillary tube gland bracket, plastic



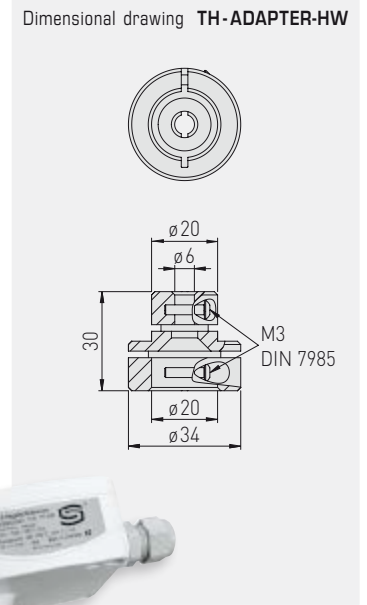
**MF-06-M**

Mounting flange, metal



**MF-14-M**

Mounting flange, metal



**TH-ADAPTER-HW**

Immersion sleeve adapter, metal

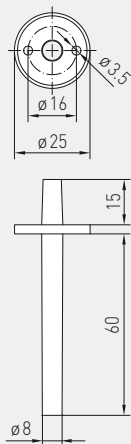


Type / WG01	Mounting flange, metal	Tube Gland	T <sub>max</sub>	Item No.	Price
<b>MF-M</b>	for metal protective tubes!				
<b>MF-06-M</b>	Mounting flange, metal (galvanised steel), Ø 32 mm, for temperature sensors TF (form B) and temperature measuring transducers TM (form B) as well as for mean value temperature sensors MWTF and mean value temperature measuring transducers MWTM	Ø 6,3 mm	+700 °C	7100-0030-5000-000	<b>8,06 €</b>
<b>MF-14-M</b>	Mounting flange, metal (galvanised steel), Ø 50 mm, for duct humidity sensors KFF / KFTF and pendulum room humidity sensors RPFF / RPFTF	Ø 14,0 mm	+700 °C	7100-0030-6000-000	<b>26,61 €</b>

Type / WG01	apillary tube gland bracket, plastic	Item No.	Price
<b>KRD-04</b>	Capillary tube gland bracket, plastic, approx. 58 x 86 x 25 mm (M 16 x 1.5) for frost protection thermostats (e.g. for air ducts) as well as for mean value temperature sensors MWTF and mean value temperature measuring transducers MWTM	7100-0030-7000-000	<b>7,52 €</b>

Type / WG01	Immersion sleeve adapter, metal	Item No.	Price
<b>TH-ADAPTER-HW</b>	Metal immersion sleeve adapter (adaptation Ø 20 mm / Ø 6 mm) for mounting S+S temperature sensors from the TF and TM series in immersion sleeves by Honeywell / CentralLine of the types VFFT, VFL, VFNT, VFLN	7100-0037-0001-000	<b>13,06 €</b>

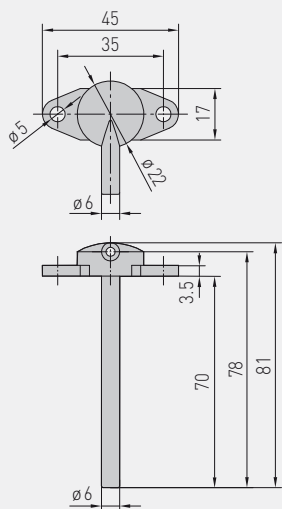
Dimensional drawing ASD-06



**ASD-06**

Connection set (straight nipples)

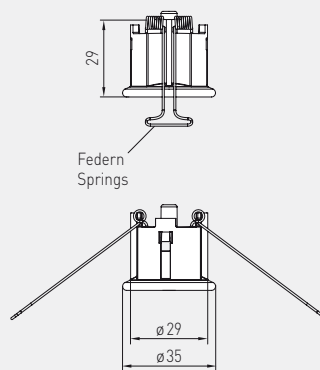
Dimensional drawing ASD-07



**ASD-07**

Connection nipples (at 90 degree angle)

Dimensional drawing DAL-01

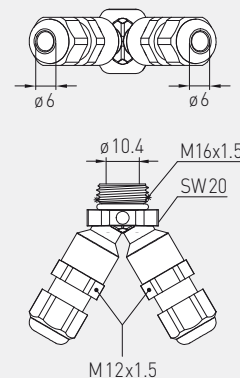


**DAL-01**

Pressure outlet



Dimensional drawing MODBUS-Y



**MODBUS-Y**

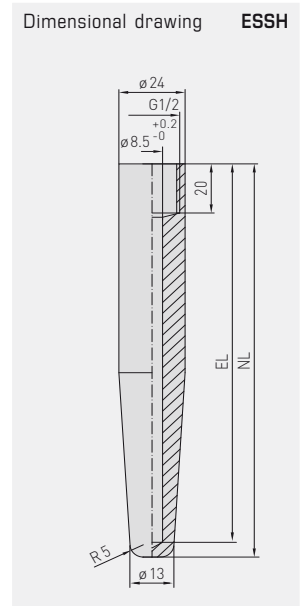
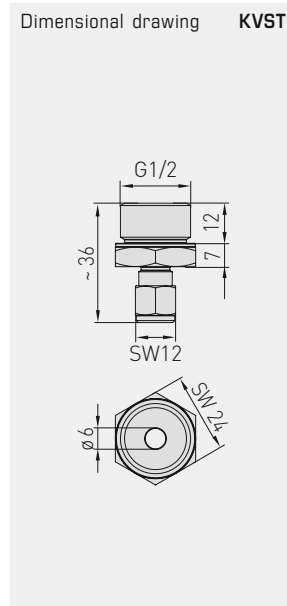
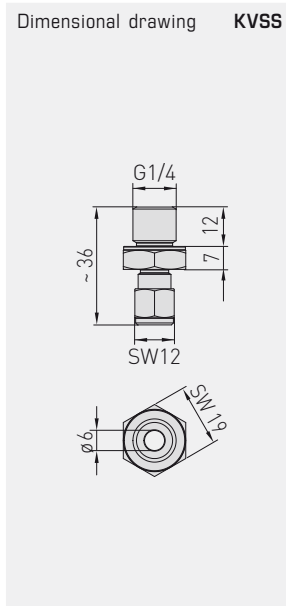
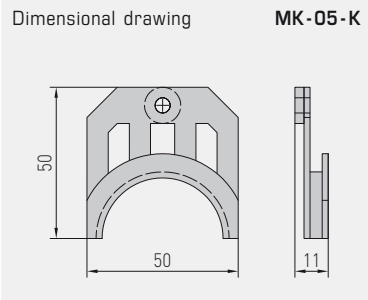
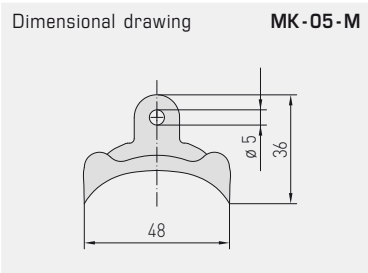
Y-adapter as bypass for bus connection



Type / WG01	Accessories for differential pressure switches	Item No.	Price
ASD-06	Connection set consisting of 2 connection nipples (straight) made of ABS, 2 m PVC hose, soft, and 4 tapping screws)	7100-0060-3000-000	6,45 €
ASD-07	2 connection nipples (at 90 degree angle) made of ABS	7100-0060-7000-000	6,45 €
ASS-UV	Connection hose, UV-resistant, Ø 4 mm, 1 roll (100 m)	7100-0060-3100-000	975,00 €
DAL-01	Pressure outlet for ceiling and in-wall installation (e.g. in clean rooms) as a pressure reference point	7300-0060-3000-001	30,18 €
DAL-02	Pressure outlet for ceiling and in-wall installation (e.g. in clean rooms) for hose attachment	7300-0060-3000-100	30,18 €

Type / WG01	Accessories for differential pressure switches DS1, DS2	Item No.	Price
DS-MW-Z	Sheet steel mounting angle in Z-Form	7100-0063-0000-000	11,27 €
DS-MW-L	Sheet steel mounting angle in L-Form	7100-0063-1000-000	11,53 €
DS-MW-U	Sheet steel mounting angle in U-Form	7100-0060-9000-000	14,18 €

Type / WG01	Special accessories for Modbus connection	Item No.	Price
MODBUS-Y	Y-adapter for cable gland M16x 1.5 (on 2x M12x 1.5), made of plastic	7000-0005-0002-100	8,88 €



**MK-05-K**  
Galvanised steel  
mounting clamps

**MK-05-M**  
Mounting clamps,  
plastic

**KVST**  
Clamp union  
with clamp ring

**ESSH**  
Welding protective  
sleeve

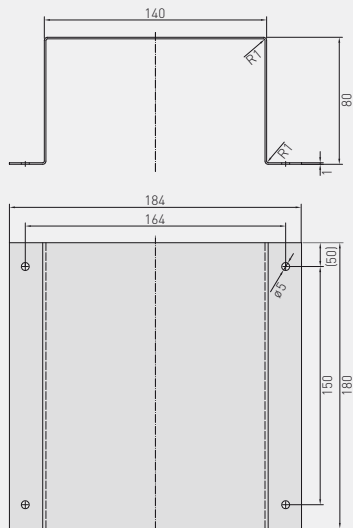


Type / WG01	Miscellaneous mounting accessories	Item No.	Price
<b>MK-05-M</b>	Galvanised steel <b>mounting clamps</b> (6 pieces) for front protection thermostats and mean value sensors	7100-0034-0000-000	<b>8,33 €</b>
<b>MK-05-K</b>	Plastic <b>mounting clamps</b> (6 pieces) for frost protection thermostats	7100-0034-1000-000	<b>8,33 €</b>
<b>WH-20</b>	<b>Wall bracket</b> for duct hygrostats KH	1200-0010-4000-000	<b>10,52 €</b>
<b>KVST</b>	<b>Clamp union</b> with clamp ring PTFE, Ø 6mm	7100-0032-0110-000	<b>16,01 €</b>
<b>KVSS</b>	<b>Clamp union</b> with cutting ring VA, Ø 6mm	7100-0032-1000-000	<b>16,01 €</b>
<b>SPB1</b>	<b>Strap</b> for surface-contact sensors	7100-0035-0000-000	<b>3,18 €</b>

Type / WG01	Special accessories	Item No.	Price
<b>ESSH xx</b>	<b>Welding protecting sleeves</b> , stainless steel, G ½ " straight internal pipe thread		
ESSH 100MM	for immersion sleeves EL = 100 mm, P <sub>max</sub> = 100 bar	7100-0052-0020-001	<b>58,09 €</b>
ESSH 150MM	for immersion sleeves EL = 150 mm, P <sub>max</sub> = 100 bar	7100-0052-0030-001	<b>66,68 €</b>
ESSH 200MM	for immersion sleeves EL = 200 mm, P <sub>max</sub> = 100 bar	7100-0052-0040-001	<b>75,27 €</b>

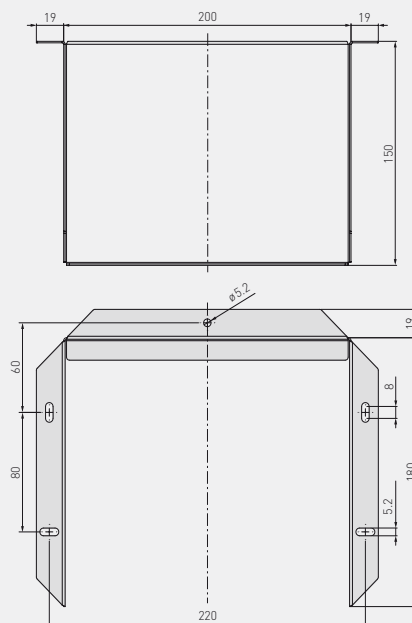
Dimensional drawing

WS-01



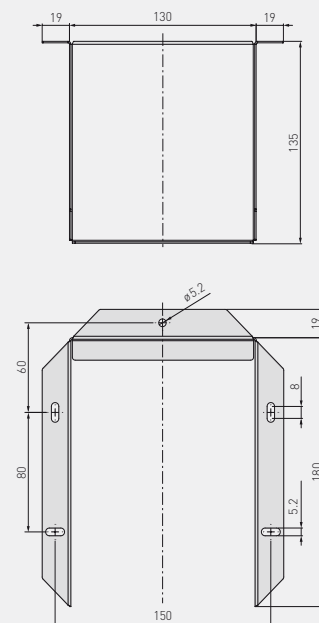
Dimensional drawing

WS-03



Dimensional drawing

WS-04



### WS-01

Sun and ball-impact protection hood



### WS-03

Weather and sun protection hood



### WS-04

Weather and sun protection hood



Type / WG01	Special accessories and spare parts	Item No.	Price
WS-01	Sun and ball-impact protection hood, 184 x 180 x 80 mm, stainless steel	7100-0040-2000-000	26,80 €
WS-03	Weather and sun protection hood, 200 x 180 x 150 mm, stainless steel	7100-0040-6000-000	37,74 €
WS-04	Weather and sun protection hood, 130 x 180 x 135 mm, stainless steel	7100-0040-7000-000	31,62 €
PSW-09	1 set of stainless steel paddles 1-8" (4 pieces), 29 x 34/60/89/157 mm for flow monitors SW	7700-0010-1000-000	16,20 €
PWFS-08	Stainless steel vane for vane switch WFS	7700-0010-2000-000	15,70 €
WLP-1	Heat-conductive paste set (tube)	7100-0060-1000-000	2,85 €



Individual components WG01		Item No.	Price
<b>FET</b>		7100-0022-4000-000	<b>42,96 €</b>
<b>KTY 81-210</b>		7100-0022-0000-000	<b>4,08 €</b>
<b>LM235Z</b>	(TCR = 10 mV/K; 2.73 V at 0°C), KP10	7100-0022-1000-000	<b>6,55 €</b>
<b>NI1000</b>	(according to DIN EN 43760, class B, TKR = 6180 ppm/K)	7100-0020-9000-000	<b>7,79 €</b>
<b>NI1000TK5000</b>	(according to DIN EN 43760, class B, TKR = 5000 ppm/K), LG-Ni 1000	7100-0021-0000-000	<b>10,96 €</b>
<b>NTC 1,8 KOHM</b>	NTC 1.8K	7100-0021-2000-001	<b>9,56 €</b>
<b>NTC 10 KOHM PRECON</b>	NTC 10K Precon	7100-0021-9000-000	<b>5,00 €</b>
<b>NTC 20 KOHM</b>	NTC 20K	7100-0021-6000-000	<b>5,00 €</b>
<b>NTC 30 KOHM</b>	NTC 30K	7100-0021-7000-000	<b>5,00 €</b>
<b>NTC 50 KOHM</b>	NTC 50K	7100-0021-8000-000	<b>5,00 €</b>
<b>PT100 KLASSE B</b>	(according to DIN EN 60751, class B)	7100-0020-1000-000	<b>6,02 €</b>
<b>PT100 1/2 DIN</b>	(according to DIN EN 60751, class A)	7100-0020-2000-000	<b>8,00 €</b>
<b>PT100 1/3 DIN</b>	(according to DIN EN 60751, class A)	7100-0020-3000-000	<b>9,30 €</b>
<b>PT1000 KLASSE B</b>	(according to DIN EN 60751, class B)	7100-0020-5000-000	<b>8,11 €</b>
<b>PT1000 1/2 DIN</b>	(according to DIN EN 60751, class A)	7100-0020-6000-000	<b>9,18 €</b>
<b>PT1000 1/3 DIN</b>	(according to DIN EN 60751, class A)	7100-0020-7000-000	<b>10,69 €</b>
<b>PT1000 1/10 DIN</b>	(according to DIN EN 60751, class AA)	7100-0020-8000-000	<b>33,45 €</b>
Note:	Other sensors on request.		

Optional services WG01		Unit	Price
<b>Double sensor</b>		<b>plus 50 %</b> of instrument price	
<b>1/2 DIN</b>	(according to DIN EN 60751, class AA)	Per piece	<b>6,20 €</b>
<b>1/3 DIN</b>	(according to DIN EN 60751, class AA)	Per piece	<b>6,20 €</b>
<b>1/10 DIN</b>	(according to DIN EN 60751, class AA)	Per piece	<b>24,80 €</b>

<b>Connection type</b>	<b>4-wire connection</b> with ceramic base, head form B	Per piece	<b>5,16 €</b>
	<b>4-wire connection</b> with circuit board, box head	Per piece	<b>3,10 €</b>
<b>Protection class</b>	<b>IP65</b> at head form B	Per piece	<b>7,96 €</b>
	<b>IP68</b> (Sensor sleeve watertight compound-filled) for cable sensors	Per piece	<b>2,86 €</b>

Custom-made products (for 25 or more pieces)		Unit	Price
<b>Silicone-free sensor production</b>		Per piece	on request!
<b>Factory test certificate</b> (per device)	1-point certificate	One-time cost	on request!
	2-point certificate	One-time cost	on request!
	3-point certificate	One-time cost	on request!
	Each additional test point	One-time cost	on request!
<b>Custom-made products</b>	Setup costs for custom-made products	One-time cost	on request!
<b>Special printing</b> (incl. printing plate)	Plus printing costs, 1-colour, if printing plate exists	One-time cost	on request!
	Plus printing costs, 1-colour, incl. printing plate production	One-time cost	on request!
	Plus printing costs, 2-colour, incl. printing plate production	One-time cost	on request!
<b>Special painting</b>	Setup costs for special painting	One-time cost	on request!
	Plus costs for special painting	Per piece	on request!
<b>Printing customer logo on enclosure cover</b> (for 200 covers of one enclosure series)	Setup costs for printing on enclosure cover	One-time cost	on request!
	Plus printing costs, 2-colour, printing on enclosure cover	Per piece	on request!
<b>Labelling with customer logo</b>	Setup costs for labelling	One-time cost	on request!
	Plus costs for labelling	Per piece	on request!

