

Differential pressure transmitters,
incl. DIN plug-in connectors and mounting angle,
with active output

The pressure sensor / differential pressure sensor **PREMASGARD® SHD-692** is used for pressure measurement in gaseous and liquid media. It converts the measurand into standard signals of 0-10 V or 4...20 mA. Process connection is 2 x G 1/8" - 27 NPT internal thread. SHD-692 differential pressure transmitters are used in piping and hydraulic systems, in mechanical and plant engineering as well as in building automation.

Not applicable for ammonia and Freon!

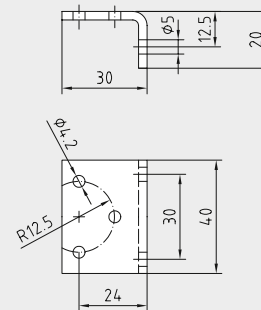
SHD 692
with display



TECHNICAL DATA

Power supply:	24 V AC (+15% / -10%), 18 - 33 V DC for U-variant 24 V DC (±20%) for I-variant
Measuring ranges:	see table
Output signal:	0-10 V (3-wire connection) or 4...20 mA (2-wire connection)
Permissible working resistance: (at nominal voltage)	$R_L > 10 \text{ k}\Omega$ for U-variant $R_L < 600 \Omega$ for I-variant
Electrical connection:	0.25 - 1.5 mm ² , via plug-in connector DIN EN 175301-803-A (included in the scope of delivery)
Pressure connection:	screw pipe connection for 6 mm pipe (G 1/8" - 27 NPT internal thread)
Type of pressure:	differential pressure
Measuring principle:	ceramic measuring cell
Medium:	liquid or gaseous
Temperature of medium:	-15...+80 °C
Mounting:	installation arbitrary
Enclosure:	stainless steel V2A (1.4305)
Medium contacting parts:	INOX (1.4305), ceramics, sealing material EPDM
Response time:	< 5 ms
Class:	0.5 %
Total error:	< 1.3 %
Overload range:	see table (one-sided max. pressure)
System pressure:	max. 25 bar (P1 + P2)
Bursting pressure:	1.5 x system pressure
Insulating resistance:	≥ 100 MΩm, at +20 °C (500 V DC)
Protection class:	III (according to EN 60 730)
Protection type:	IP 65 (according to EN 60 529)
Standards:	CE conformity, electromagnetic compatibility according to EN 61 326, EMC directive 2014 / 30 / EU
Optional:	Display-Modul , made of plastic, polyamide material, black colour, extra height: approx. 73 mm, pluggable, factory-calibrated and configured , for displaying the differential pressure (in bar, other units available upon request)

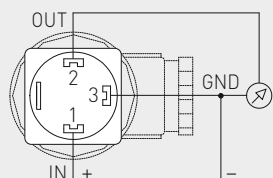
Dimensional drawing **SHD 692**
Mounting angle



Connecting diagram

SHD 692-U

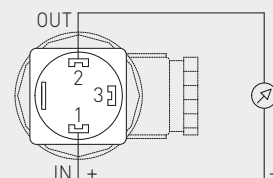
- 2 Output pressure 0-10V
- 3 GND
- 1 Supply voltage UB+ 24V AC / 18-33V DC

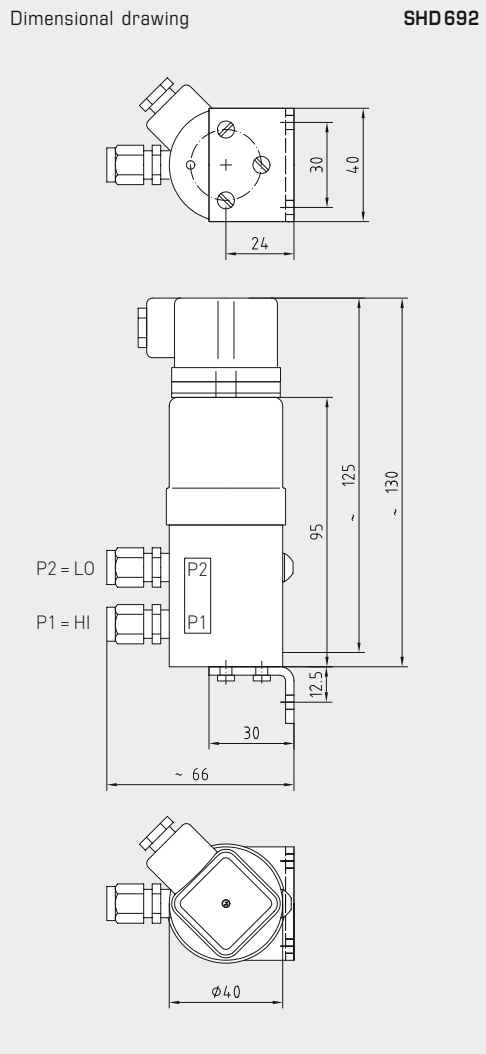


Connecting diagram

SHD 692-I

- 2 Output pressure 4...20mA
- 3 Free
- 1 Supply voltage UB+ 24V DC





SHD 692
without display



Display module
(optional)



PREMASGARD® SHD 692 Differential pressure transmitters, *Deluxe*

Type / WG02	Measuring Range	One-Sided max. pressure	Output	Display	Item No.	Price
SHD 692-U						U-variant
SHD 692-U-900	0...0.1 bar	0.6 bar	0-10 V		1301-4121-0500-000	490,00 €
SHD 692-U-907	0...0.5 bar	3 bar	0-10 V		1301-4121-0510-000	490,00 €
SHD 692-U-912	0...1 bar	5 bar	0-10 V		1301-4121-0520-000	490,00 €
SHD 692-U-916	0...2.5 bar	12 bar	0-10 V		1301-4121-0530-000	490,00 €
SHD 692-U-918	0...4 bar	12 bar	0-10 V		1301-4121-0540-000	490,00 €
SHD 692-I						I-variant
SHD 692-I-900	0...0.1 bar	0.6 bar	4...20 mA		1301-4122-0500-000	490,00 €
SHD 692-I-907	0...0.5 bar	3 bar	4...20 mA		1301-4122-0510-000	490,00 €
SHD 692-I-912	0...1 bar	5 bar	4...20 mA		1301-4122-0520-000	490,00 €
SHD 692-I-916	0...2.5 bar	12 bar	4...20 mA		1301-4122-0530-000	490,00 €
SHD 692-I-918	0...4 bar	12 bar	4...20 mA		1301-4122-0540-000	490,00 €
Optional:	Display module, factory-calibrated and configured			■	on request	