

Duct humidity and temperature sensors ($\pm 1.8\%$ / $\pm 2.0\%$), including mounting flange, calibratable, with multi-range switching and active/passive output

Calibratable duct humidity-/temperature sensor **HYGRASGARD® KFF-SD/KFTF-SD** ($\pm 2.0\%$), with plastic sinter filter (optional metal sinter filter), enclosure made from impact-resistant plastic with snap-on lid.

Calibratable duct humidity/temperature sensor **HYGRASGARD® KFF/KFTF** ($\pm 2.0\%$) or **KFF-20/KFTF-20** ($\pm 1.8\%$), with plastic sinter filter (optional metal sinter filter), enclosure made from impact-resistant plastic with quick-locking screws **with/without optional display**.

It measures the relative humidity and/or the temperature of the air and converts the measurands into a standard signal of 0-10 V or 4...20 mA. It has four switchable temperature ranges and is applied in non-aggressive dust-free atmospheres in refrigeration, air conditioning, ventilation and clean room technology. Relative humidity (in % r.H.) is the quotient of water vapour partial pressure divided by the saturation vapour pressure at the respective gas temperature. These measuring transducers are designed for exact detection of humidity. A digital long-term stable sensor is used as measuring element for humidity measurement. Fine adjustment by the user is possible.

TECHNICAL DATA

Power supply:	24 V AC ($\pm 20\%$); 15...36 V DC for U variant 15...36 V DC for I variant, depending on working resistance, residual ripple stabilised ± 0.3 V
Working resistance:	$R_a(\text{ohm}) = (U_b - 14 \text{ V}) / 0.02 \text{ A}$ for I variant
Load resistance:	$R_L > 5 \text{ kOhm}$ for U variant
Power consumption:	$< 1.1 \text{ VA} / 24 \text{ V DC}$; $< 2.2 \text{ VA} / 24 \text{ V AC}$
Sensors:	digital humidity sensor with integrated temperature sensor , low hysteresis, high long-term stability
Sensor protection:	plastic sinter filter, $\varnothing 16 \text{ mm}$, L = 35 mm, exchangeable (optional metal sinter filter, $\varnothing 16 \text{ mm}$, L = 32 mm)

HUMIDITY

Measuring range, humidity:	0...100% r.H. (output corresponding to 0-10 V or 4...20 mA)
Permissible air humidity:	$< 95\%$ r. H., non-precipitating air
Deviation, humidity:	KFF / KFTF / KFF-SD / KFTF-SD: typically $\pm 2.0\%$ (20...80% r.H.) at $+25^\circ\text{C}$, otherwise $\pm 3.0\%$ KFF-20 / KFTF-20: typically $\pm 1.8\%$ (10...90% r.H.) at $+25^\circ\text{C}$, otherwise $\pm 2.0\%$
Output, humidity:	0-10 V for U variant 4...20 mA for I variant, see load resistance diagram

TEMPERATURE

Measuring range, temperature:	multi-range switching with 4 switchable measuring ranges (see table) $-35...+35^\circ\text{C}$; $-35...+75^\circ\text{C}$; $0...+50^\circ\text{C}$; $0...+80^\circ\text{C}$ (output corresponding to 0-10 V or 4...20 mA)
Ambient temperature:	storage $-35...+85^\circ\text{C}$; operation $-30...+75^\circ\text{C}$, non-precipitating
Deviation, temperature:	$\pm 0.2 \text{ K}$ at $+25^\circ\text{C}$
Output, temperature:	0-10 V or 4...20 mA or Ohm value
Electrical connection:	2-, 3-, or 4-wire connection (see connecting diagram), 0.14 - 1.5 mm ² , via terminal screws on circuit board
Enclosure:	plastic, UV-stabilised, material polyamide, 30% glass-globe reinforced, with quick-locking screws (slotted / Phillips head combination), colour traffic white (similar to RAL 9016), enclosure cover for display is transparent!
Enclosure dimensions:	KFF / KFTF / KFF-20 / KFTF-20 / KFF-SD / KFTF-SD without display: 72 x 64 x 37.8 mm (Tyr 1) KFF / KFTF with display: 72 x 64 x 43.3 mm (Tyr 1) KFF-20 / KFTF-20 with display: 26 x 90 x 50 mm (Tyr 2)
Cable gland:	M 16 x 1.5, including strain relief, exchangeable, max. inner diameter 10.4 mm
Protective tube:	PLEUROFORM™ , material polyamide (PA6), with torsion protection $\varnothing 20 \text{ mm}$, NL = 235 mm, $v_{\text{max}} = 30 \text{ m/s}$ (air) (on request, optional stainless steel , $\varnothing 16 \text{ mm}$)
Process connection:	by mounting flange, plastic (included in the scope of delivery)
Long-term stability:	$\pm 1\%$ per year
Protection class:	III (according to EN 60 730)
Protection type:	KFF-SD / KFTF-SD: IP 43 (according to EN 60 529) enclosure only! KFF / KFTF / KFF-20 / KFTF-20: IP 65 (according to EN 60 529) enclosure only!
Standards:	CE conformity, according to EMC directive 2014 / 30 / EU, according to EN 61326-1, according to EN 61326-2-3
Optional:	display with illumination , for displaying ACTUAL temperature and/or ACTUAL humidity KFF / KFTF (Tyr 1): two-line, cutout approx. 36 x 15 mm (W x H) KFF-20 / KFTF-20 (Tyr 2): three-line, cutout approx. 70 x 40 mm (W x H)

ACCESSORIES

see last chapter

SF-K

Plastic sinter filter (standard)



SF-M

Metal sinter filter (optional)



Protective tube stainless steel

(optional on request)

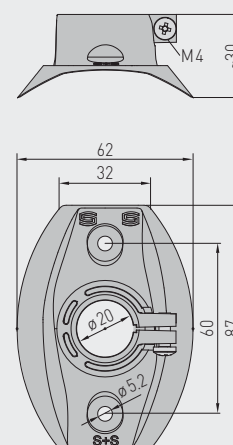
MFT-20-K

Mounting flange, plastic



Dimensional drawing

MFT-20-K





S+S REGELTECHNIK

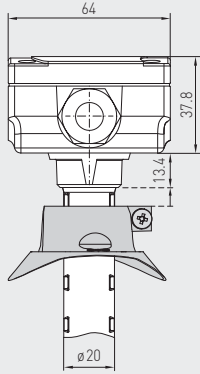
HYGRASGARD® KFF/KFTF/KFF-SD/KFTF-SD HYGRASGARD® KFF-20/KFTF-20

Duct humidity and temperature sensors ($\pm 1.8\%$ / $\pm 2.0\%$), including mounting flange, calibratable, with multi-range switching and active/passive output

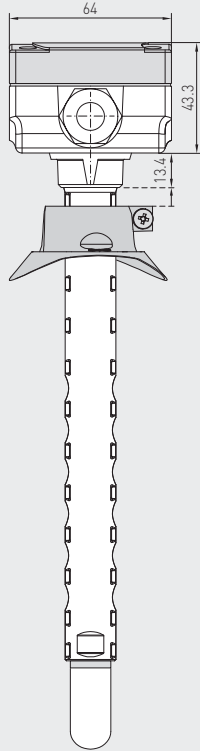


Dimensional drawing

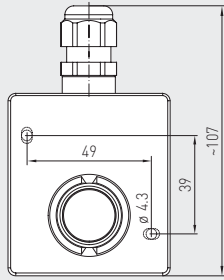
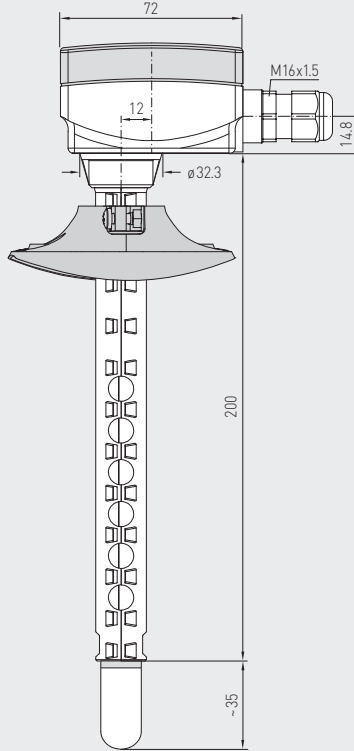
without display



with display



KFF/KFTF with/without display
KFF-SD/KFTF-SD without display
KFF-20/KFTF-20 without display



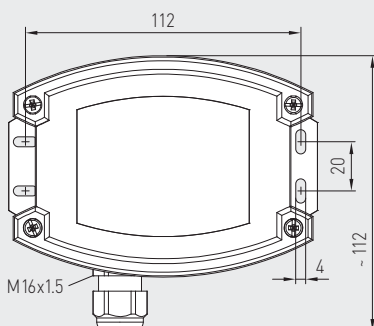
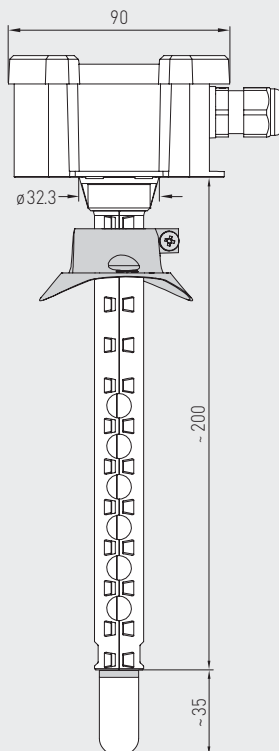
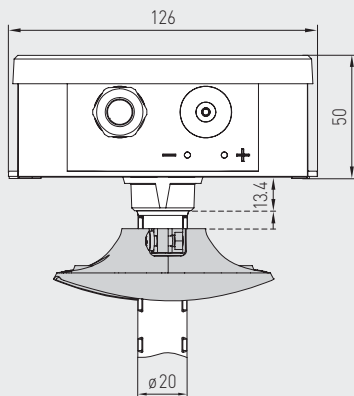
KFF-SD/KFTF-SD ($\pm 2.0\%$)
with snap-on lid
(IP43)



KFF/KFTF ($\pm 2.0\%$)
KFF-20/KFTF-20 ($\pm 1.8\%$)
without display
(IP65)

Dimensional drawing

KFF-20/KFTF-20
with display

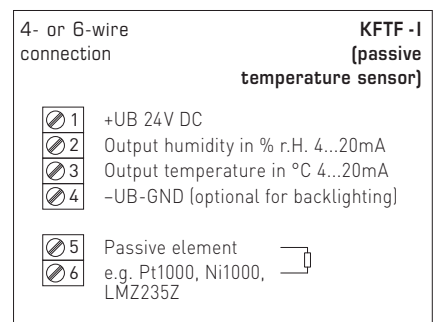
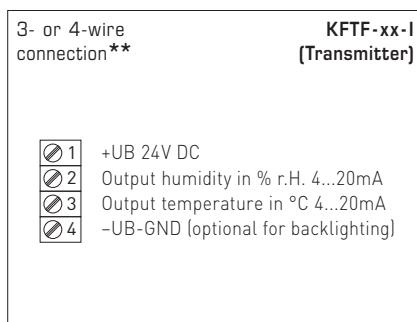
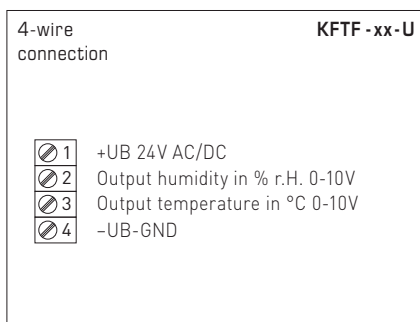
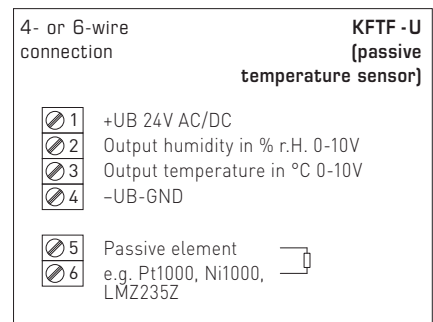
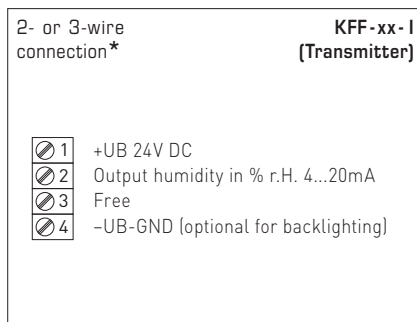
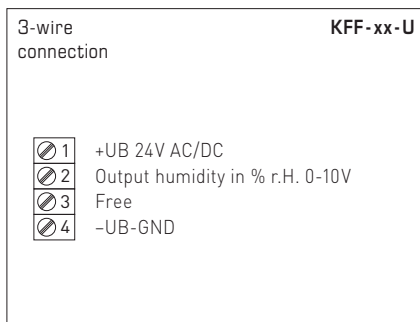
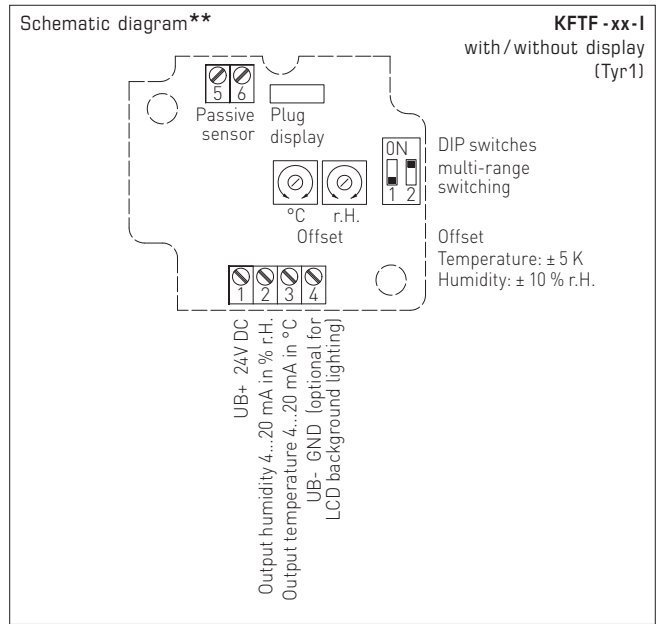
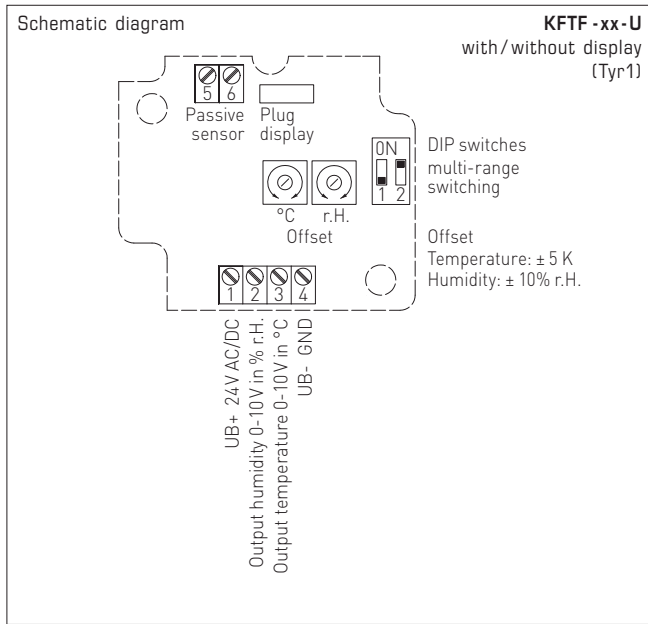


KFF/KFTF ($\pm 2.0\%$)
with display
(IP65)

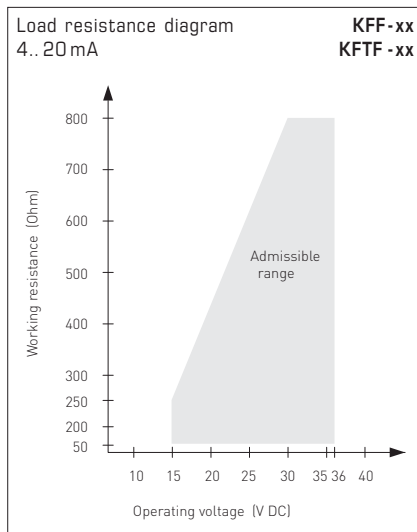


KFF-20/KFTF-20 ($\pm 1.8\%$)
with display
(IP65)

Duct humidity and temperature sensors ($\pm 1.8\%$ / $\pm 2.0\%$), including mounting flange, calibratable, with multi-range switching and active/passive output



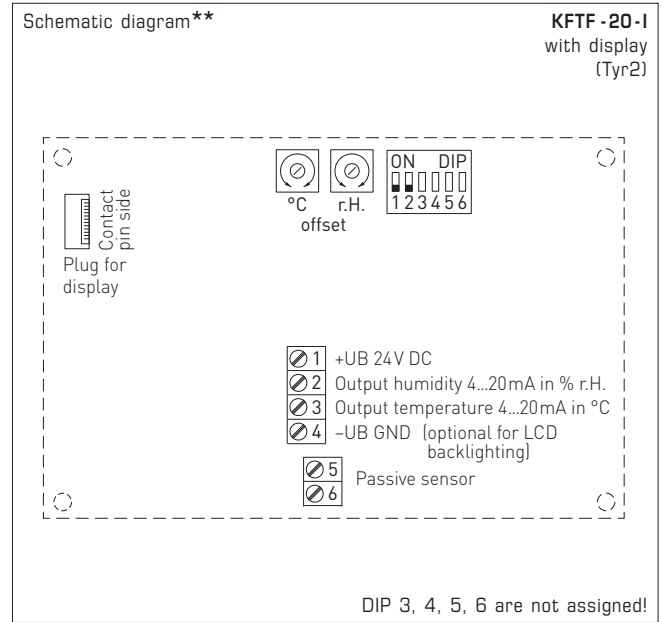
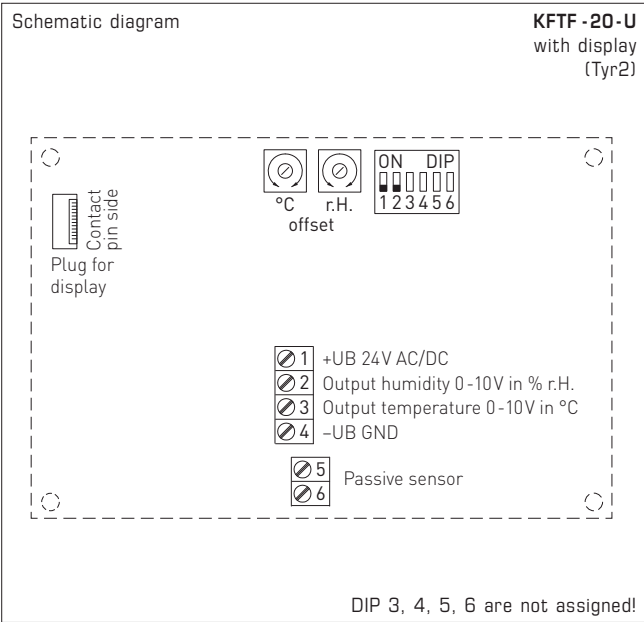
Temperature measuring ranges (adjustable)	DIP 1	DIP 2
-35...+75 °C	ON	ON
-35...+35 °C	OFF	OFF
0...+50 °C	OFF	ON
0...+80 °C	ON	OFF



Connection*:
 2-wire connection for devices with / without display (not illuminated)
 3-wire connection for devices with illuminated display

Connection**:
 3-wire connection for devices with / without display (not illuminated)
 4-wire connection for devices with illuminated display

For the **I** variant the humidity path must be connected!



Temperature table
MR: -35...+75 °C

°C	U _A in V	I _A in mA
-35	0.0	4.0
-30	0.5	4.7
-25	0.9	5.5
-20	1.4	6.2
-15	1.8	6.9
-10	2.3	7.6
-5	2.7	8.4
0	3.2	9.1
5	3.6	9.8
10	4.1	10.5
15	4.5	11.3
20	5.0	12.0
25	5.5	12.7
30	5.9	13.5
35	6.4	14.2
40	6.8	14.9
45	7.3	15.6
50	7.7	16.4
55	8.2	17.1
60	8.6	17.8
65	9.1	18.5
70	9.5	19.2
75	10.0	20.0

Temperature table
MR: -35...+35 °C

°C	U _A in V	I _A in mA
-35	0.0	4.0
-30	0.7	5.1
-25	1.4	6.3
-20	2.1	7.4
-15	2.9	8.6
-10	3.6	9.7
-5	4.3	10.9
0	5.0	12.0
5	5.7	13.1
10	6.4	14.3
15	7.1	15.4
20	7.9	16.6
25	8.6	17.7
30	9.3	18.9
35	10.0	20.0

Temperature table
MR: 0...+50 °C

°C	U _A in V	I _A in mA
0	0.0	4.0
5	1.0	5.6
10	2.0	7.2
15	3.0	8.8
20	4.0	10.4
25	5.0	12.0
30	6.0	13.6
35	7.0	15.2
40	8.0	16.8
45	9.0	18.4
50	10.0	20.0

Temperature table
MR: 0...+80 °C

°C	U _A in V	I _A in mA
0	0.0	4.0
5	0.6	5.0
10	1.3	6.0
15	1.9	7.0
20	2.5	8.0
25	3.1	9.0
30	3.8	10.0
35	4.4	11.0
40	5.0	12.0
45	5.6	13.0
50	6.3	14.0
55	6.9	15.0
60	7.5	16.0
65	8.1	17.0
70	8.8	18.0
75	9.4	19.0
80	10.0	20.0

Humidity table
MR: 0...100% r.H.

% r.H.	U _A in V	I _A in mA
0	0.0	4.0
5	0.5	4.8
10	1.0	5.6
15	1.5	6.4
20	2.0	7.2
25	2.5	8.0
30	3.0	8.8
35	3.5	9.6
40	4.0	10.4
45	4.5	11.2
50	5.0	12.0
55	5.5	12.8
60	6.0	13.6
65	6.5	14.4
70	7.0	15.2
75	7.5	16.0
80	8.0	16.8
85	8.5	17.6
90	9.0	18.4
95	9.5	19.2
100	10.0	20.0

HYGRASGARD® KFF/KFTF HYGRASGARD® KFF-SD/KFTF-SD



S+S REGELTECHNIK

Duct humidity and temperature sensors ($\pm 2.0\%$), including mounting flange, calibratable, with multi-range switching and active/passive output

KFF-SD / KFTF-SD
with snap-on lid
(IP 43)

KFF / KFTF
with quick-locking screws
(IP 65)

KFF / KFTF
with display
(IP 65)



HYGRASGARD® KFF-SD – Humidity sensors ($\pm 2.0\%$), *Standard*
HYGRASGARD® KFTF-SD – Humidity and temperature sensors ($\pm 2.0\%$), *Standard*

Type / WG01	Measuring Range / Readout		Output		Item No.	Price
	Humidity	Temperature	Humidity	Temperature		
KFF-SD-I					IP 43 (active)	
KFF-SD-I	0...100% r. H.	–	4...20 mA	–	1201-3182-0000-029	136,90 €
KFF-SD-U					IP 43 (active)	
KFF-SD-U	0...100% r. H.	–	0-10V	–	1201-3181-0000-029	136,90 €
KFTF-SD-I					IP 43 (active)	
KFTF-SD-I	0...100% r. H.	–35...+75 °C –35...+35 °C 0...+50 °C 0...+80 °C	4...20 mA	4...20 mA	1201-3182-1000-029	140,66 €
KFTF-SD-U					IP 43 (active)	
KFTF-SD-U	0...100% r. H.	(4x as above)	0-10V	0-10V	1201-3181-1000-029	140,66 €

HYGRASGARD® KFF – Humidity sensors ($\pm 2.0\%$), *Standard*
HYGRASGARD® KFTF – Humidity and temperature sensors ($\pm 2.0\%$), *Standard*

Type / WG01	Measuring Range / Readout		Output		Display	Item No.	Price
	Humidity	Temperature	Humidity	Temperature			
KFF-I						IP 65 (active)	
KFF-I	0...100% r. H.	–	4...20 mA	–		1201-3112-0000-029	147,10 €
KFF-I DISPLAY	0...100% r. H.	–	4...20 mA	–	■	1201-3112-0200-029	190,05 €
KFF-U						IP 65 (active)	
KFF-U	0...100% r. H.	–	0-10V	–		1201-3111-0000-029	147,10 €
KFF-U DISPLAY	0...100% r. H.	–	0-10V	–	■	1201-3111-0200-029	190,05 €
KFTF-I						IP 65 (active)	
KFTF-I	0...100% r. H.	(4x as above)	4...20 mA	4...20 mA		1201-3112-1000-029	150,86 €
KFTF-I DISPLAY	0...100% r. H.	(4x as above)	4...20 mA	4...20 mA	■	1201-3112-1200-029	193,82 €
KFTF-U						IP 65 (active)	
KFTF-U	0...100% r. H.	(4x as above)	0-10V	0-10V		1201-3111-1000-029	150,86 €
KFTF-U DISPLAY	0...100% r. H.	(4x as above)	0-10V	0-10V	■	1201-3111-1200-029	193,82 €

HYGRASGARD® KFTF-U xx – Humidity and temperature sensors ($\pm 2.0\%$), *Standard*

Type / WG01	Measuring Range / Readout		Output		Item No.	Price
	Humidity	Temperature	Humidity	Temperature		
KFTF-U xx	Pt, Ni, LM235Z, NTC				IP 65 (active / passive)	
KFTF-U PT100	0...100% r. H.	(4x as above)	0-10V	0-10V + Pt100	1201-3111-2001-029	156,77 €
KFTF-U PT1000	0...100% r. H.	(4x as above)	0-10V	0-10V + Pt1000	1201-3111-2005-029	157,31 €
KFTF-U NI1000	0...100% r. H.	(4x as above)	0-10V	0-10V + Ni1000	1201-3111-2009-029	157,84 €
KFTF-U NITK	0...100% r. H.	(4x as above)	0-10V	0-10V + Ni1000TK5000	1201-3111-2010-029	158,70 €
KFTF-U LM235Z	0...100% r. H.	(4x as above)	0-10V	0-10V + LM235Z, 10mV/K	1201-3111-2021-029	157,63 €
KFTF-U NTC1,8K	0...100% r. H.	(4x as above)	0-10V	0-10V + NTC 1,8 kOhm	1201-3111-2012-029	157,84 €
KFTF-U NTC10K	0...100% r. H.	(4x as above)	0-10V	0-10V + NTC 10 kOhm	1201-3111-2015-029	156,87 €
KFTF-U NTC20K	0...100% r. H.	(4x as above)	0-10V	0-10V + NTC 20 kOhm	1201-3111-2016-029	156,87 €



S+S REGELTECHNIK

HYGRASGARD® KFF -20 /KFTF -20

Duct humidity and temperature sensors ($\pm 1.8\%$), including mounting flange, calibratable, with multi-range switching and active/passive output

KFF-20 / KFTF-20
with display
(IP 65)



KFF-20 / KFTF-20
without display
(IP 65)



HYGRASGARD® KFF -20 – Humidity sensors ($\pm 1.8\%$), Premium
HYGRASGARD® KFTF -20 – Humidity and temperature sensors ($\pm 1.8\%$), Premium

Type / WG02	Measuring Range / Readout Humidity	Readout Temperature	Output Humidity	Output Temperature	Display	Item No.	Price
KFF-20-I	IP65 (active)						
KFF-20-I	0...100% r. H.	–	4...20 mA	–		1201-3112-0000-030	203,47 €
KFF-20-I TYR-2 DISPLAY	0...100% r. H.	–	4...20 mA	–	■	1201-8112-0400-030	246,43 €
KFF-20-U	IP65 (active)						
KFF-20-U	0...100% r. H.	–	0-10 V	–		1201-3111-0000-030	203,47 €
KFF-20-U TYR-2 DISPLAY	0...100% r. H.	–	0-10 V	–	■	1201-8111-0400-030	246,43 €
KFTF-20-I	IP65 (active)						
KFTF-20-I	0...100% r. H.	–35...+75 °C –35...+35 °C 0...+50 °C 0...+80 °C	4...20 mA	4...20 mA		1201-3112-1000-030	223,38 €
KFTF-20-I TYR-2 DISPLAY	0...100% r. H.	(4x as above)	4...20 mA	4...20 mA	■	1201-8112-1400-030	264,18 €
KFTF-20-U	IP65 (active)						
KFTF-20-U	0...100% r. H.	–35...+75 °C –35...+35 °C 0...+50 °C 0...+80 °C	0-10 V	0-10 V		1201-3111-1000-030	223,38 €
KFTF-20-U TYR-2 DISPLAY	0...100% r. H.	(4x as above)	0-10 V	0-10 V	■	1201-8111-1400-030	264,18 €

Accessories

SF-M	Metal sinter filter, \varnothing 16 mm, L = 32 mm, exchangeable stainless steel V4A (1.4404)	7000-0050-2200-100	35,70 €
-------------	--	--------------------	---------