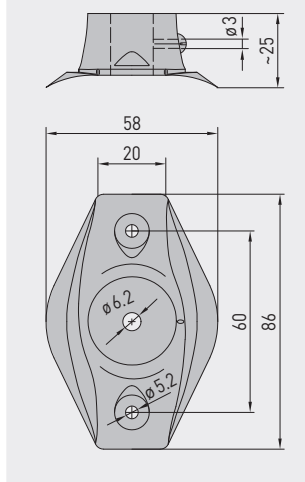


Mounting flange, plastic  
Capillary tube gland bracket

Dimensional drawing **MF-06-K**

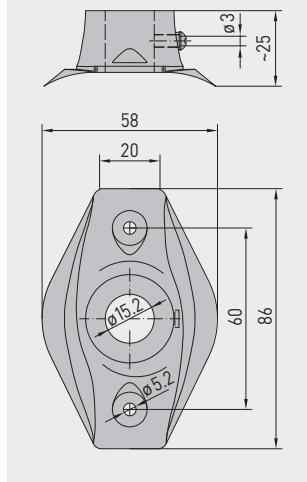


**MF-06-K**

Mounting flange, plastic



Dimensional drawing **MF-15-K**

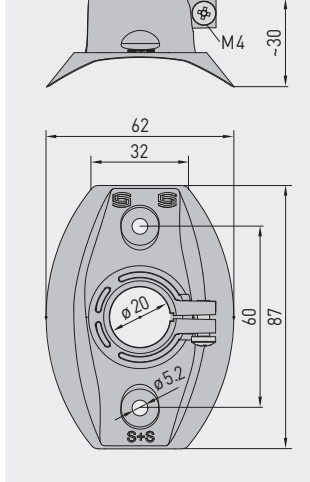


**MF-15-K**

Mounting flange, plastic



Dimensional drawing **MFT-20-K**

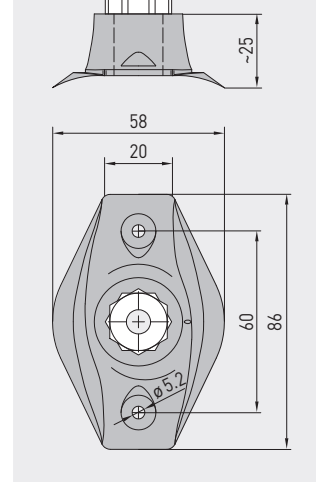


**MFT-20-K**

Mounting flange, plastic



Dimensional drawing **KRD-04**



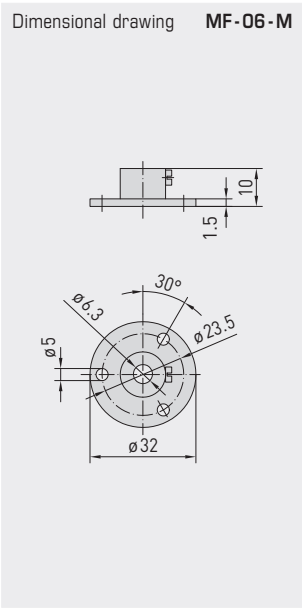
**KRD-04**

Capillary tube gland bracket, plastic



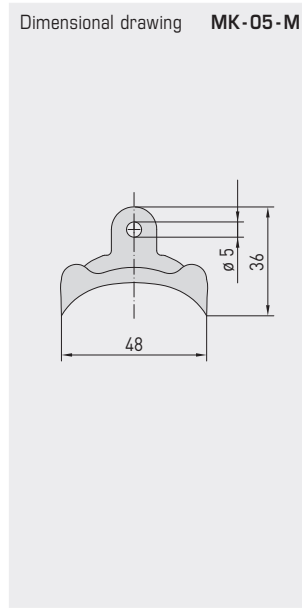
Type/WG01	Mounting flange, plastic	Tube Gland	T <sub>max</sub>	Item No.	Price
MF-xx-K	for metal protective tubes!				
<b>MF-06-K</b>	Mounting flange, plastic, approx. 58 x 86 x 25 mm for rod sensors <b>MWTF/MWTM</b>	Ø 6.2 mm	+100 °C	7100-0030-1000-000	<b>6,55 €</b>
<b>MF-10-K</b>	Mounting flange, plastic, approx. 58 x 86 x 25 mm for duct air flow monitors <b>KLGF/KLSW</b>	Ø 10.2 mm	+100 °C	7100-0031-1000-000	<b>10,24 €</b>
<b>MF-14-K</b>	Mounting flange, plastic, approx. 58 x 86 x 25 mm for duct humidity sensors <b>KFF/KFTF</b> and pendulum room humidity sensors <b>RPFF/RPFTF</b> as well as for duct air flow monitors <b>KLGF/KLSW</b>	Ø 14.2 mm	+100 °C	7100-0030-2000-000	<b>10,24 €</b>
<b>MF-15-K</b>	Mounting flange, plastic, approx. 58 x 86 x 25 mm for temperature sensors <b>TF</b> (series Tyr 1) and temperature measuring transducers <b>TM</b> (series Tyr 1)	Ø 15.2 mm	+100 °C	7100-0032-0000-000	<b>6,55 €</b>
<b>MF-20-K</b>	Mounting flange, plastic, approx. 58 x 86 x 25 mm for duct sensors <b>KH</b>	Ø 20.2 mm	+100 °C	7100-0030-4000-000	<b>10,24 €</b>
<b>MFT-20-K</b>	for <b>PLEUROFORM</b> multi-channel pipes!				
<b>MFT-20-K</b>	Mounting flange, plastic, approx. 62 x 87 x 30 mm for duct sensors (series Tyr 1 / Tyr 2)	Ø 20 mm	+100 °C	7000-0031-0000-000	<b>10,24 €</b>

Type/WG01	Capillary tube gland bracket	Item No.	Price
<b>KRD-04</b>	Capillary tube gland bracket, plastic, approx. 58 x 86 x 25 mm (M 16 x 1.5) for frost protection thermostats (e.g. for air ducts) and rod sensors <b>MWTF/MWTM</b>	7100-0030-7000-000	<b>9,55 €</b>



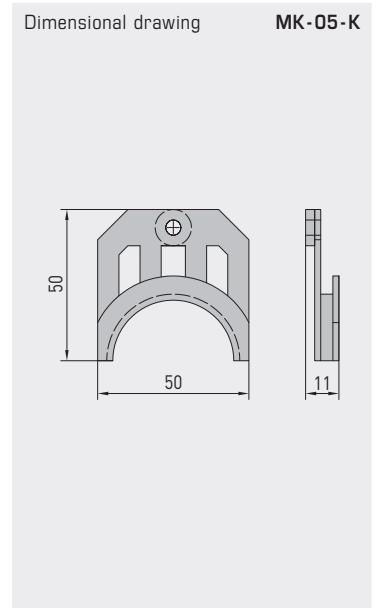
**MF-06-M**

Mounting flange, metal



**MK-05-M**

Galvanised steel mounting clamps



**MK-05-K**

Mounting clamps, plastic

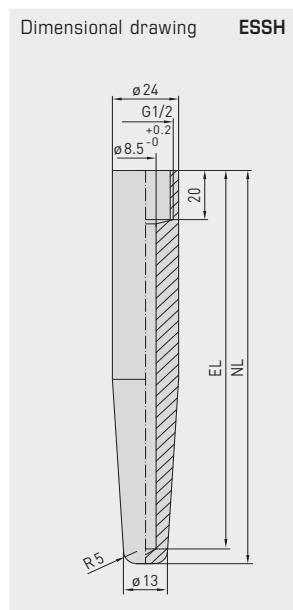


Type / WG01	Mounting flange, metal	Tube Gland	T <sub>max</sub>	Item No.	Price
MF-xx-M	for metal protective tubes!				
<b>MF-06-M</b>	Mounting flange, metal (galvanised steel), Ø 32 mm, for temperature sensors <b>TF</b> (form B) temperature measuring transducers <b>TM</b> (form B), rod sensors <b>MWTF</b> / <b>MWTM</b>	Ø 6.3 mm	+700 °C	7100-0030-5000-100	<b>13,47 €</b>

Type / WG01	Mounting clamps	Item No.	Price
<b>MK-05-M</b>	Galvanised steel mounting clamps (6 pieces) for rod sensors <b>MWTF</b> / <b>MWTM</b>	7100-0034-0000-000	<b>10,59 €</b>
<b>MK-05-K</b>	Plastic mounting clamps (6 pieces) for frost protection thermostats	7100-0034-1000-000	<b>10,59 €</b>

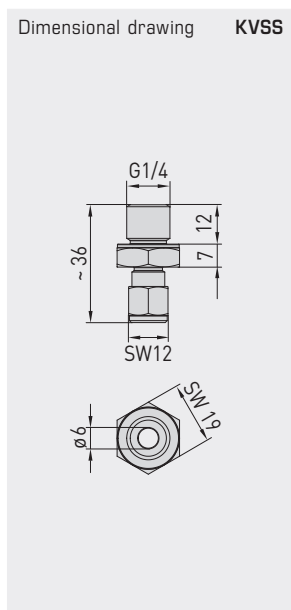


Mounting accessories  
for Immersion sensor



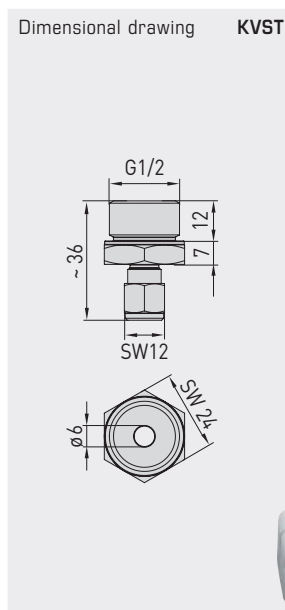
**ESSH**

Welding protective sleeve



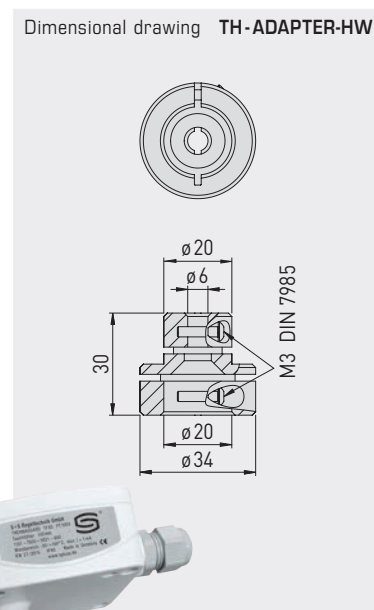
**KVSS**

Clamp union with cutting ring



**KVST**

Clamp union with clamp ring



**TH-ADAPTER-HW**

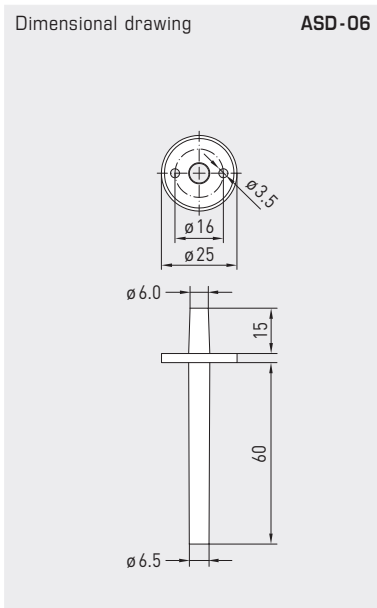
Immersion sleeve adapter, metal



Type / WG01	Welding protective sleeve	Item No.	Price
	Welding protecting sleeves, G 1/2" straight internal pipe thread, stainless steel <b>V4A</b> (1.4571), other materials on request,		
<b>ESSH 100MM</b>	for immersion sleeves (EL) = 100 mm, P <sub>max</sub> = 100 bar	7100-0052-0020-001	<b>73,78 €</b>
<b>ESSH 150MM</b>	for immersion sleeves (EL) = 150 mm, P <sub>max</sub> = 100 bar	7100-0052-0030-001	<b>84,70 €</b>
<b>ESSH 200MM</b>	for immersion sleeves (EL) = 200 mm, P <sub>max</sub> = 100 bar	7100-0052-0040-001	<b>95,60 €</b>

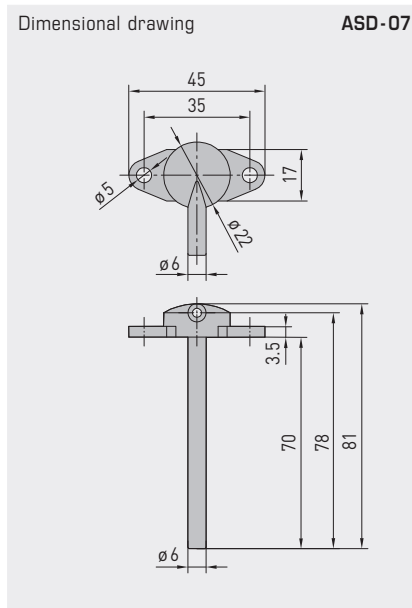
Type / WG01	Clamp union	Item No.	Price
<b>KVST</b>	Clamp union with clamp ring PTFE, Ø 6 mm	7100-0032-0110-000	<b>104,96 €</b>
<b>KVSS</b>	Clamp union with cutting ring VA, Ø 6 mm	7100-0032-1000-000	<b>67,63 €</b>

Type / WG01	Immersion sleeve adapter, metal	Item No.	Price
<b>TH-ADAPTER-HW</b>	Metal immersion sleeve adapter (adaptation Ø 20 mm / Ø 6 mm) for mounting S+S temperature sensors from the TF and TM series in immersion sleeves by Honeywell / CentraLine of the types VFFT, VFL, VFNT, VFLN	7100-0037-0001-000	<b>16,59 €</b>



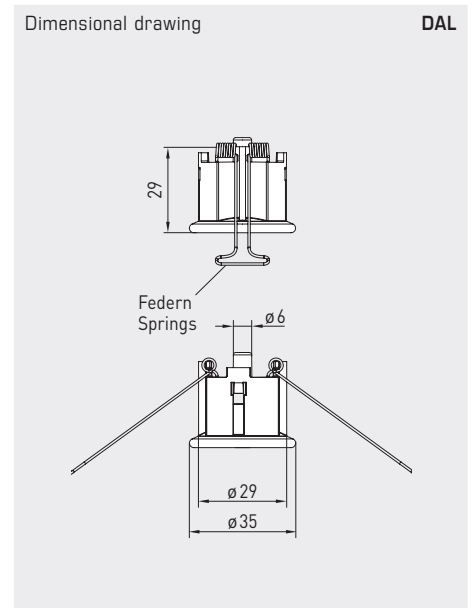
### ASD-06

Connection set  
(straight nipples)



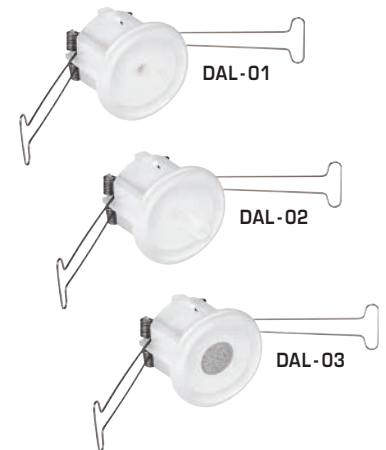
### ASD-07

Connection nipples  
(at 90 degree angle)



### DAL

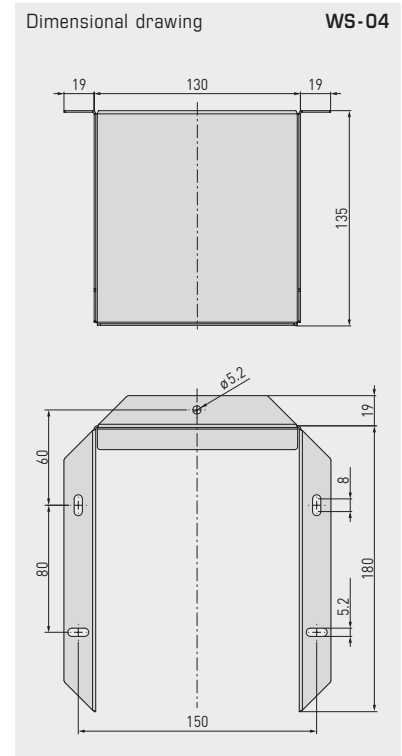
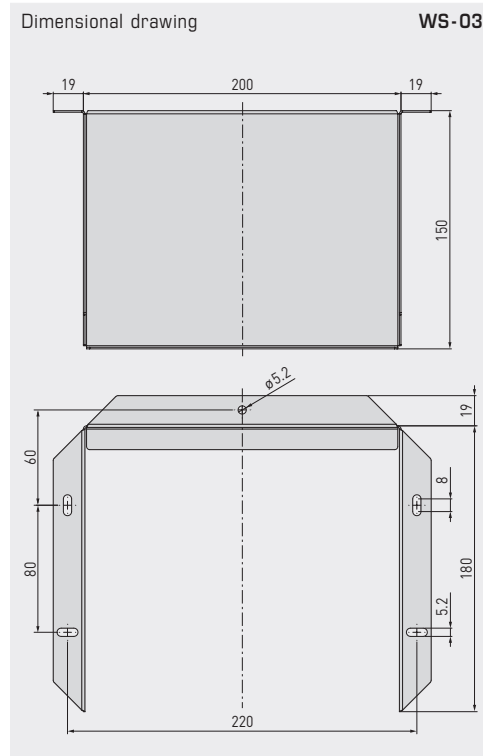
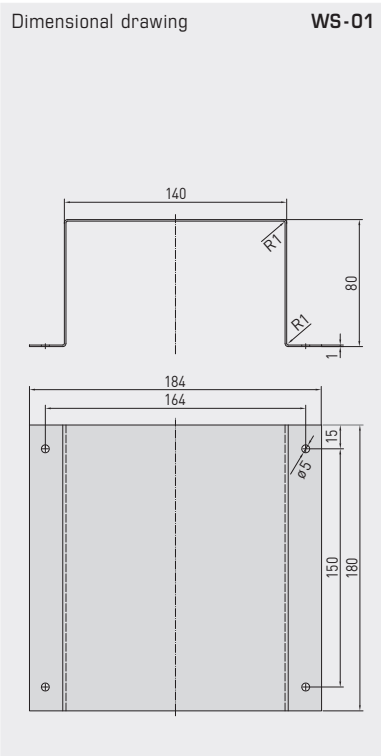
Pressure outlet



Type / WG01	Accessories for differential pressure switches	Item No.	Price
ASD-06	Connection set consisting of 2 connection nipples (straight) made of ABS, 2 m PVC hose (soft, UV-resistant), 4 Philips head screws (no pre-drilling required)	7100-0060-3000-000	8,18 €
ASD-07	2 connection nipples (at 90 degree angle) made of ABS	7100-0060-7000-000	8,18 €
ASS-UV 100M	Connecting hose, UV-resistant, Ø 6 mm, 1 roll (100 m)	7100-0060-3101-000	1733,57 €
DAL-01	Pressure outlet for ceiling and in-wall installation, colour pure white (similar to RAL 9010) as a pressure reference point, Ø 6 mm	7300-0060-3000-001	38,31 €
DAL-02	for hose attachment, Ø 6 mm	7300-0060-3000-100	38,31 €
DAL-03	as a pressure reference point, with sinter filter made of stainless steel V4A (1.4404), Ø 6 mm	7300-0060-3000-200	71,76 €

Type / WG01	Accessories for differential pressure switches DS1, DS2	Item No.	Price
DS-MW-Z	Sheet steel mounting angle in Z-Form	7100-0063-0000-000	14,31 €
DS-MW-L	Sheet steel mounting angle in L-Form	7100-0063-1000-000	14,64 €
DS-MW-U	Sheet steel mounting angle in U-Form	7100-0060-9000-000	18,00 €

Protection hoods



**WS-01**

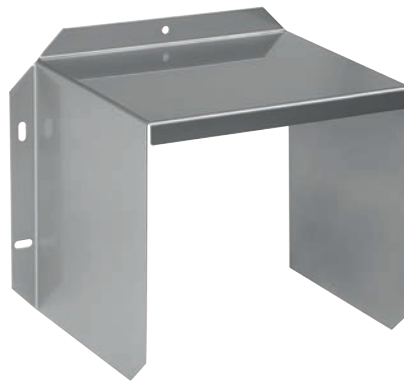
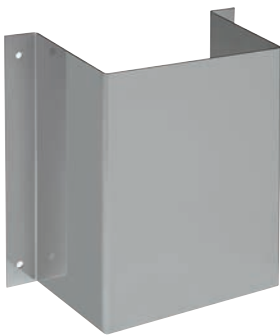
Sun and ball-impact protection hood

**WS-03**

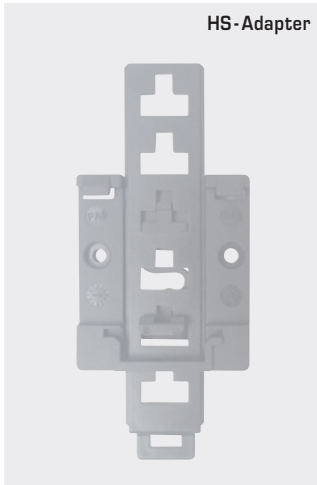
Weather and sun protection hood

**WS-04**

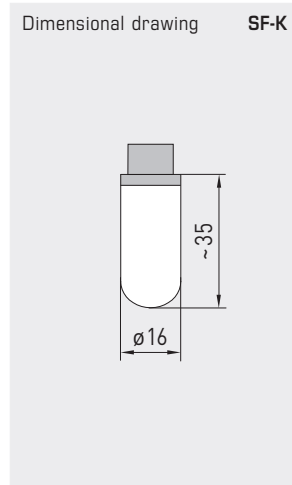
Weather and sun protection hood



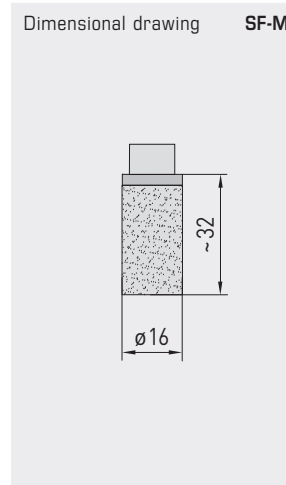
Type / WG01	Protection hoods	Item No.	Price
WS-01	Sun and ball-impact protection hood, 184 x 180 x 80 mm, stainless steel V2A (1.4301)	7100-0040-2000-000	34,03 €
WS-03	Weather and sun protection hood, 200 x 180 x 150 mm, stainless steel V2A (1.4301)	7100-0040-6000-000	47,92 €
WS-04	Weather and sun protection hood, 130 x 180 x 135 mm, stainless steel V2A (1.4301)	7100-0040-7000-000	40,15 €

**HS-Adapter****HS-Adapter**

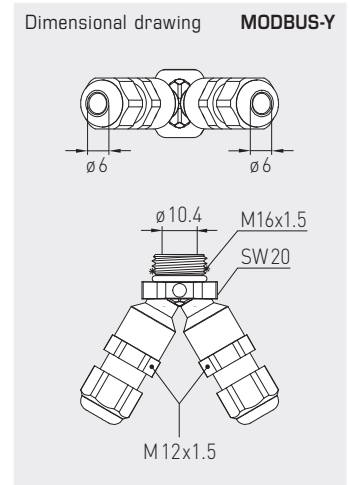
Universal holder  
for small housing  
on top-hat rails

Dimensional drawing **SF-K****SF-K**

Plastic sinter filter

Dimensional drawing **SF-M****SF-M**

Metal sinter filter

Dimensional drawing **MODBUS-Y****MODBUS-Y**

Y-Adapter als Bypass  
für Busanschluss



Type / WG01	Spare parts, small parts and special accessories	Item No.	Price
<b>SF-K</b>	<b>Plastic sinter filter</b> , Ø 16 mm, L = 35 mm, exchangeable for humidity sensors	7000-0050-2310-000	<b>13,78 €</b>
<b>SF-M</b>	<b>Metal sinter filter</b> , Ø 16 mm, L = 32 mm, exchangeable, stainless steel <b>V4A</b> (1.4404) for humidity sensors	7000-0050-2200-100	<b>45,34 €</b>
<b>PSW-09</b>	1 set of <b>stainless steel paddles 1-8"</b> (4 pieces), 29 x 34/60/89/157 mm for flow monitors SW	7700-0010-1000-000	<b>20,59 €</b>
<b>PWFS-08</b>	<b>Stainless steel vane</b> for vane switch WFS	7700-0010-2000-000	<b>19,94 €</b>
<b>WH-20</b>	<b>Wall bracket</b> for duct hygrometers KH	1200-0010-4000-000	<b>13,35 €</b>
<b>HS-ADAPTER</b>	<b>Universal holder for small housings</b> made from plastic PA6, black, for installation on 35mm top-hat rails, incl. fixing screws	7100-0038-0000-000	<b>23,88 €</b>
<b>SPB1</b>	<b>Strap</b> for surface-contact sensors	7100-0035-0000-000	<b>4,05 €</b>
<b>WLP-1</b>	<b>Heat-conductive paste</b> , silicone-free (2 ml)	7100-0060-1000-000	<b>4,98 €</b>
<b>MODBUS-Y</b>	<b>Y-adapter</b> for cable gland M16x 1.5 (on 2x M12x 1.5), made of plastic	7000-0005-0002-100	<b>11,27 €</b>

**Special accessories for M12 connector**

5-pin / 12-pin, A coded,

Circular connector with screw-locking according to DIN EN 61076-2-101

**AL xx**

Connecting cable with cable socket



**VL xx**

Interconnecting cable with cable socket and cable connector



**KB xx**

Cable socket without cable



Connecting cable for M12 connector	Type / WG011	Cable length	Item No.	Price
PVC cable, <b>5-pin, shielded</b> , with cable socket (M12, A coded, female), approx. Ø = 15 mm, L = 35 mm, and one open cable end	<b>ALG xx A5F</b>		<b>5-pin, shielded</b>	
	ALG M12-A5F PVC 2M	2 m	2000-9121-0000-031	29,39 €
	ALG M12-A5F PVC 5M	5 m	2000-9121-0000-041	37,69 €
	ALG M12-A5F PVC 10M	10 m	2000-9121-0000-051	51,89 €
PVC cable, <b>5-pin, unshielded</b> , with cable socket (M12, A coded, female), approx. Ø = 15 mm, L = 35 mm, and one open cable end	<b>AL xx A5F</b>		<b>5-pin, unshielded</b>	
	AL M12-A5F PVC 2M	2 m	2000-9121-0000-001	20,14 €
	AL M12-A5F PVC 5M	5 m	2000-9121-0000-011	24,95 €
	AL M12-A5F PVC 10M	10 m	2000-9121-0000-021	32,55 €
PVC cable, <b>12-pin, unshielded</b> , with cable socket (M12, A coded, female), approx. Ø = 15 mm, L = 35 mm, and one open cable end	<b>AL xx A12F</b>		<b>12-pin, unshielded</b>	
	AL M12-A12F PVC 2M	2 m	2000-9122-0000-001	64,63 €
	AL M12-A12F PVC 5M	5 m	2000-9122-0000-011	76,46 €
	AL M12-A12F PVC 10M	10 m	2000-9122-0000-021	96,56 €

Interconnecting cable for M12 connector	Type / WG011	Cable length	Item No.	Price
PVC cable, <b>5-pin, shielded</b> , with cable socket (M12, A coded, female) and cable connector (M12, A coded, male) approx. Ø = 15 mm, L = 35 mm	<b>VLG xx A5</b>		<b>5-pin, shielded</b>	
	VLG M12-A5 PVC 2M	2 m	2000-9111-0000-031	63,22 €
	VLG M12-A5 PVC 5M	5 m	2000-9111-0000-041	71,62 €
	VLG M12-A5 PVC 10M	10 m	2000-9111-0000-051	86,01 €
PVC cable, <b>5-pin, unshielded</b> , with cable socket (M12, A coded, female) and cable connector (M12, A coded, male) approx. Ø = 15 mm, L = 35 mm	<b>VL xx A5</b>		<b>5-pin, unshielded</b>	
	VL M12-A5 PVC 2M	2 m	2000-9111-0000-001	35,96 €
	VL M12-A5 PVC 5M	5 m	2000-9111-0000-011	40,66 €
	VL M12-A5 PVC 10M	10 m	2000-9111-0000-021	50,78 €
PVC cable, <b>12-pin, unshielded</b> , with cable socket (M12, A coded, female) and cable connector (M12, A coded, male) approx. Ø = 15 mm, L = 35 mm	<b>VL xx A12</b>		<b>12-pin, unshielded</b>	
	VL M12-A12 PVC 2M	2 m	2000-9112-0000-001	134,87 €
	VL M12-A12 PVC 5M	5 m	2000-9112-0000-011	148,21 €
	VL M12-A12 PVC 10M	10 m	2000-9112-0000-021	170,52 €

Mounting accessories for M12 connector	Type / WG02	Contact	Item No.	Price
Cable socket (M12, A coded, female), approx. Ø = 20 mm, L = 54 mm, unassembled, without cable	<b>KB xx</b>		<b>female</b>	
	KB M12-A5	5-pin	7100-0070-0712-000	24,76 €
	KB M12-A12	12-pin	7100-0070-0714-000	73,90 €
Cable connector (M12, A coded, male), approx. Ø = 20 mm, L = 54 mm, unassembled, without cable	<b>KS xx</b>		<b>male</b>	
	KS M12-A5	5-pin	7100-0070-0716-000	24,76 €
	KS M12-A12	12-pin	7100-0070-0718-000	73,90 €



Special accessories for MB connector  
4-pin, EtherCATP coded,  
for industrial EtherCATP applications

### ALG ECATP xx

Connecting cable  
with one cable connector



### VLG ECATP xx

Interconnecting cable  
with two cable connectors



EtherCAT<sup>®</sup> P



Connecting cable for EtherCATP	Type / WG02	Cable length	Item No.	Price
PUR cable, 4-pin, shielded, with one cable connector (MB, EtherCATP coded) and one open cable end	<b>ALG ECATP xx</b>		<b>shielded</b>	
	ALG ECATP 0.5m	0.5 m	2000-9131-0000-001	42,37 €
	ALG ECATP 1m	1.0 m	2000-9131-0000-011	46,21 €
	ALG ECATP 2m	2.0 m	2000-9131-0000-021	49,94 €
	ALG ECATP 5m	5.0 m	2000-9131-0000-031	75,82 €

Interconnecting cable for EtherCATP	Type / WG02	Cable length	Item No.	Price
PUR cable, 4-pin, shielded, with two cable connectors (MB, EtherCATP coded)	<b>VLG ECATP xx</b>		<b>shielded</b>	
	VLG ECATP 0.5m	0.5 m	2000-9131-0000-041	68,55 €
	VLG ECATP 1m	1.0 m	2000-9131-0000-051	74,21 €
	VLG ECATP 2m	2.0 m	2000-9131-0000-061	85,72 €
	VLG ECATP 5m	5.0 m	2000-9131-0000-071	120,28 €





## Optional services

Individual components / WG01	Item No.	Price
FET	7100-0022-4000-000	<b>54,56 €</b>
KTY 81-210	7100-0022-0000-000	<b>5,17 €</b>
LM235Z (TCR = 10 mV/K; 2.73 V at 0°C), KP10	7100-0022-1000-000	<b>8,31 €</b>
NI1000 (according to DIN EN 43760, class B, TKR = 6180 ppm/K)	7100-0020-9000-000	<b>9,89 €</b>
NI1000TK5000 (according to DIN EN 43760, class B, TKR = 5000 ppm/K), LG-Ni 1000	7100-0021-0000-000	<b>13,92 €</b>
NTC 1,8 KOHM NTC 1.8 K	7100-0021-2000-000	<b>12,15 €</b>
NTC 10 KOHM PRECON NTC 10 K Precon	7100-0021-9000-000	<b>6,35 €</b>
NTC 20 KOHM NTC 20 K	7100-0021-6000-000	<b>6,35 €</b>
NTC 30 KOHM NTC 30 K	7100-0021-7000-000	<b>6,35 €</b>
NTC 50 KOHM NTC 50 K	7100-0021-8000-000	<b>6,35 €</b>
PT100 KLASSE B (according to DIN EN 60751, class B)	7100-0020-1000-000	<b>7,63 €</b>
PT100 1/2 DIN (according to DIN EN 60751, class B)	7100-0020-2000-000	<b>10,15 €</b>
PT100 1/3 DIN (according to DIN EN 60751, class B)	7100-0020-3000-000	<b>11,81 €</b>
PT1000 KLASSE B (according to DIN EN 60751, class B)	7100-0020-5000-000	<b>10,31 €</b>
PT1000 1/2 DIN (according to DIN EN 60751, class B)	7100-0020-6000-000	<b>11,67 €</b>
PT1000 1/3 DIN (according to DIN EN 60751, class B)	7100-0020-7000-000	<b>13,57 €</b>
PT1000 1/10 DIN (according to DIN EN 60751, class B)	7100-0020-8000-000	<b>42,49 €</b>
Note:	Other sensors on request.	

Optional services / WG01	Unit	Price
Double sensor	<b>plus 50 %</b> of instrument price	
1 / 2 DIN (according to DIN EN 60751, class B)	Per piece	<b>7,58 €</b>
1 / 3 DIN (according to DIN EN 60751, class B)	Per piece	<b>7,58 €</b>
1 / 10 DIN (according to DIN EN 60751, class B)	Per piece	<b>30,28 €</b>
Connection type	<b>4-wire connection</b> with ceramic base, head form B	Per piece <b>6,30 €</b>
	<b>4-wire connection</b> with circuit board, box head	Per piece <b>3,79 €</b>
Protection class	<b>IP 65</b> at head form B	Per piece <b>9,72 €</b>
	<b>IP 68</b> (Sensor sleeve watertight compound-filled) for cable sensors	Per piece <b>3,50 €</b>



Custom-made products (for 25 or more pieces)		Unit	Price
<b>Silicone-free sensor production</b>		Per piece	on request!
<b>Factory test certificate</b> (per device)	1-point certificate	One-time cost	on request!
	2-point certificate	One-time cost	on request!
	3-point certificate	One-time cost	on request!
	Each additional test point	One-time cost	on request!
<b>Custom-made products</b>	Setup costs for custom-made products	One-time cost	on request!
<b>Special paintwork</b>	Set-up costs for special paintwork	one-off (net)	<b>203,20 €</b>
	plus costs for special paintwork	<b>from 25 piece</b> per piece	<b>19,57 €</b>
		<b>from 50 piece</b> per piece	<b>14,23 €</b>
<b>Special print</b> (with stereotype)	Set-up costs incl. stereotype production, <b>1 colour</b>	one-off (net)	<b>203,20 €</b>
	Set-up costs incl. stereotype production, <b>2 colour</b>	one-off (net)	<b>311,15 €</b>
	plus costs for special print	<b>from 25 piece</b> per piece / colour	<b>12,33 €</b>
		<b>from 50 piece</b> per piece / colour	<b>8,32 €</b>
		<b>from 100 piece</b> per piece / colour	<b>6,69 €</b>
		<b>from 250 piece</b> per piece / colour	<b>5,08 €</b>
	<b>from 500 piece</b> per piece / colour	<b>2,54 €</b>	
<b>Printing customer logo on housing cover</b> (for 200 covers of one housing series)	Setup costs for printing on housing cover	One-time cost	on request!
	Plus printing costs, 2-colour, printing on housing cover	Per piece	on request!
<b>Labelling with customer logo</b>	Setup costs for labelling	One-time cost	on request!
	Plus costs for labelling	Per piece	on request!

