



RSTF

Resistance thermometer **THERMASGARD® RSTF** with passive output in an elegant housing made of plastic, with snap-on lid, base with 4-hole attachment for installation on vertically or horizontally installed in-wall flush boxes, with predetermined breaking point for on-wall cable entry, specifically used for temperature detection in larger rooms. The room radiation temperature sensor RSTF determines the effective portion of active radiation or the effective radiant heat at the measured location. Due to the measuring method employed by the dark radiation temperature sensor, an excellent and room-representative measuring result is achieved. In addition there is an independent passive output available to determinate the reference temperature.

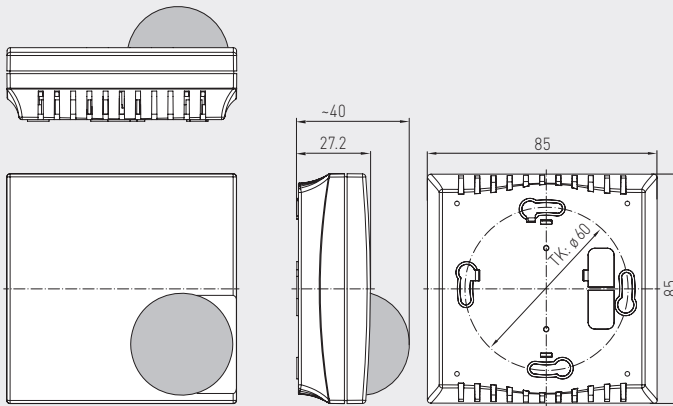


TECHNICAL DATA

Measuring range:	-30...+75 °C
Sensors / output:	see table, passive (optional also with two sensors)
Connection type:	2-wire connection (4-wire connection on PT100, optional on other sensors)
Testing current:	< 0.6 mA (Pt1000) < 1.0 mA (Pt100) < 0.3 mA (Ni1000, Ni1000 TK5000) < 2.0 mW (NTC xx) 400 µA...5 mA (LM235Z)
Insulating resistance:	≥100 MΩ, at +20 °C (500 V DC)
Process connection:	by screws
Housing:	plastic, flame retardant (UL 94 V-0), PC/ABS material, colour white (similar to RAL 9016), Semi-globe: black
Dimensions:	85 x 85 x 27 (40) mm (Baldur 1)
Electrical connection:	0.14 - 1.5 mm ² , via terminal screws
Humidity:	< 95% RH
Protection class:	III (according to EN 60 730)
Protection type:	IP 30 (according to EN 60529)

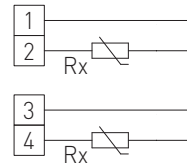
Dimensional drawing

RSTF

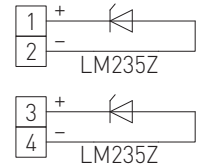


Terminals 3 and 4:
Sensor for reference temperature

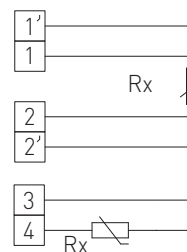
1x two-wire connection standard



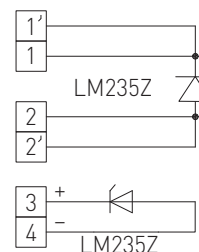
1x two-wire connection LM235Z (KP10)



1x four-wire connection (optional)



1x four-wire connection (optional)



THERMASGARD® RSTF Room radiation temperature sensors

Type / WG03	Sensor / Output	Item No.	Price
RSTF		IP30	
RSTF Pt100	Pt100 (according to DIN EN 60 751, class B)	1101-40C0-1003-000	74,11 €
RSTF Pt1000	Pt1000 (according to DIN EN 60 751, class B)	1101-40C0-5001-000	74,11 €
RSTF Ni1000	Ni1000 (according to DIN EN 43 760, class B, TCR = 6180 ppm / K)	1101-40C0-9001-000	76,84 €
RSTF NiTK	Ni1000 TK5000 (TCR = 5000 ppm / K), LG- Ni1000	1101-40C1-0001-000	79,00 €
RSTF LM235Z	LM235Z (TCR = 10mV / K; 2.73 V at 0 °C), KP10	1101-40C2-1001-000	74,11 €
RSTF NTC1,8K	NTC 1.8K	1101-40C1-2001-000	78,20 €
RSTF NTC10K	NTC 10K	1101-40C1-5001-000	78,20 €
RSTF NTC20K	NTC 20K	1101-40C1-6001-000	78,20 €
Extra charge:	two or other sensors optional		on request