

**Pendulum room humidity and temperature sensors ($\pm 2.0\%$),
calibratable, with multi-range switching
and active output**

The calibratable pendulum room humidity and temperature sensor **HYGRASGARD® RPFF / RPFTF** with plastic sinter filter measures the relative humidity and temperature of air. It converts the measurands into standard signals of 0-10 V or 4...20 mA and is available with or without an optional display. It has four switchable temperature ranges. The sensor is applied in non-aggressive dust-free atmospheres in refrigeration, air conditioning, ventilation and clean room technology, hotels, technical rooms, meeting rooms and convention centres. These measuring transducers are designed for exact detection of temperature and humidity. A digital long-term stable sensor is used as a measuring element for humidity and temperature measurement. The sensor is appropriate for ceiling and duct installation, or for integrating it into equipment. The sensor is factory-calibrated; an environmental precision adjustment by an expert is possible.

**RPFF
RPFTF**
with plastic sinter filter
(standard)

TECHNICAL DATA

Power supply:	24 V AC ($\pm 20\%$); 15...36 V DC for U variant 15...36 V DC for I variant, depending on working resistance, residual ripple stabilised ± 0.3 V
Working resistance:	$R_a(\text{ohm}) = (U_b - 14 \text{ V}) / 0.02 \text{ A}$ for I variant
Load resistance:	$R_L > 5 \text{ kOhm}$ for U variant
Power consumption:	$< 1.1 \text{ VA} / 24 \text{ V DC}$; $< 2.2 \text{ VA} / 24 \text{ V AC}$
Sensors:	digital humidity sensor with integrated temperature sensor , low hysteresis, high long-term stability
Sensor protection:	plastic sinter filter , $\varnothing 16 \text{ mm}$, $L = 35 \text{ mm}$, exchangeable (optional metal sinter filter , $\varnothing 16 \text{ mm}$, $L = 32 \text{ mm}$)
HUMIDITY	
Measuring range, humidity:	0...100% RH (output corresponding to 0-10V or 4...20 mA)
Operating range, humidity:	0...95% RH (without formation of dew)
Accuracy, humidity:	typically $\pm 2.0\%$ (20...80% RH) at $+25^\circ\text{C}$, otherwise $\pm 3.0\%$
Output, humidity:	0 - 10 V for U variant 4...20 mA for I variant, see load resistance diagram
TEMPERATURE	
Measuring range, temperature:	multi-range switching with 4 switchable measuring ranges (see table) $-35...+35^\circ\text{C}$; $-35...+75^\circ\text{C}$; $0...+50^\circ\text{C}$; $0...+80^\circ\text{C}$ (output corresponding to 0-10V or 4...20 mA)
Operating range, temperature:	$-35...+80^\circ\text{C}$
Accuracy, temperature:	typically $\pm 0.2 \text{ K}$ at $+25^\circ\text{C}$
Output, temperature:	0-10 V or 4...20 mA or Ohm value
Ambient temperature:	storage $-5...+60^\circ\text{C}$ operation $-5...+60^\circ\text{C}$
Long-term stability:	$\pm 1\%$ per year
Housing:	plastic, UV-resistant, material polyamide, 30% glass-globe reinforced, with quick-locking screws (slotted / Phillips head combination), colour traffic white (similar to RAL 9016), housing cover for display is transparent!
Housing dimensions:	72 x 64 x 37.8 mm (Tyr 1 without display) 72 x 64 x 43.3 mm (Tyr 1 with display)
Cable connection:	cable gland , plastic (M 16 x 1.5; with strain relief, exchangeable, max. inner diameter 10.4 mm) or M12 connector according to DIN EN 61076-2-101 (on request)
Electrical connection:	2-, 3-, or 4-wire connection (see connecting diagram), 0.14 - 1.5 mm ² via terminal screws
Connection cable:	PVC, LiYY, 6 x 0.14 mm ² , KL = approx. 2 m (other lengths optional)
Protective tube:	stainless steel V2A (1.4301), $\varnothing = 16 \text{ mm}$, NL = 142 mm
Protection class:	III (according to EN 60 730)
Protection type:	IP 65 (according to EN 60 529) Housing tested, TÜV SÜD, Report No. 713139052 (Tyr 1)
Standards:	CE conformity, according to EMC directive 2014 / 30 / EU, according to EN 61326-1, according to EN 61326-2-3
Optional:	two-line display with illumination , cutout approx. 36 x 15 mm (W x H), for displaying ACTUAL temperature and / or ACTUAL humidity
ACCESSORIES	see last chapter



M12 connector
(optional on request)

MF-16-K
Mounting flange,
plastic
(optional)





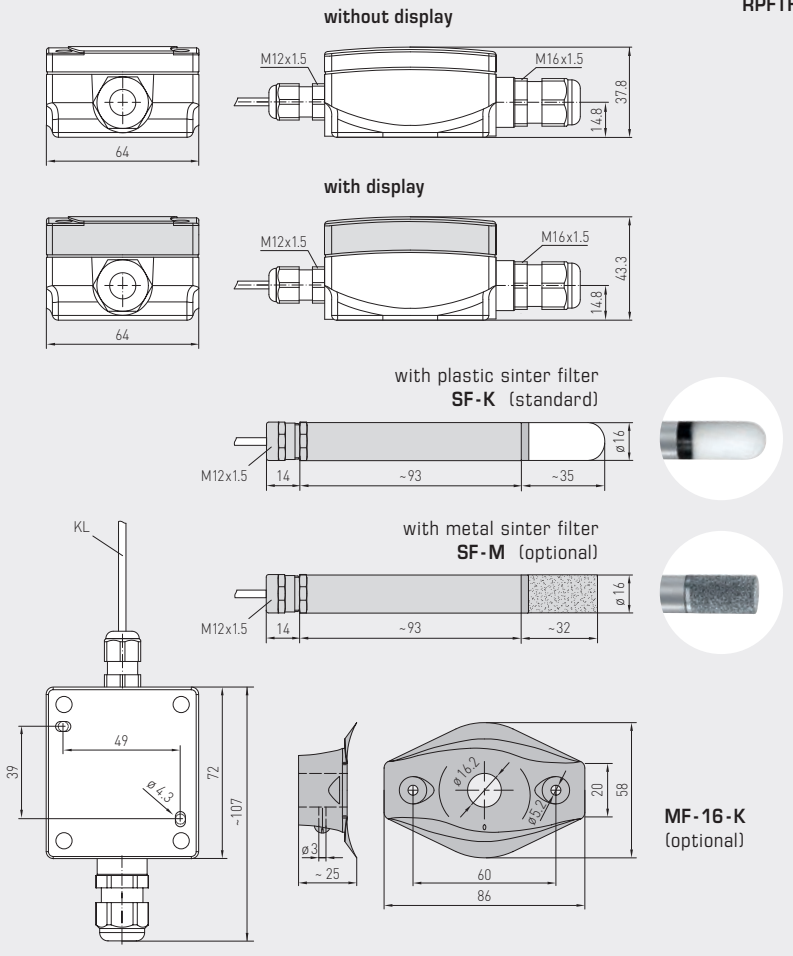
S+S REGELTECHNIK

HYGRASGARD® RPFF
HYGRASGARD® RPFTF

Pendulum room humidity and temperature sensors ($\pm 2.0\%$),
calibratable, with multi-range switching
and active output



Dimensional drawing



RPFF
RPFTF

RPFF
RPFTF
with display and
plastic sinter filter
(standard)



Temperature table
MR: -35...+75 °C

°C	U _A [V]	I _A [mA]
-35	0.0	4.0
-30	0.5	4.7
-25	0.9	5.5
-20	1.4	6.2
-15	1.8	6.9
-10	2.3	7.6
-5	2.7	8.4
0	3.2	9.1
5	3.6	9.8
10	4.1	10.5
15	4.5	11.3
20	5.0	12.0
25	5.5	12.7
30	5.9	13.5
35	6.4	14.2
40	6.8	14.9
45	7.3	15.6
50	7.7	16.4
55	8.2	17.1
60	8.6	17.8
65	9.1	18.5
70	9.5	19.2
75	10.0	20.0

Temperature table
MR: -35...+35 °C

°C	U _A [V]	I _A [mA]
-35	0.0	4.0
-30	0.7	5.1
-25	1.4	6.3
-20	2.1	7.4
-15	2.9	8.6
-10	3.6	9.7
-5	4.3	10.9
0	5.0	12.0
5	5.7	13.1
10	6.4	14.3
15	7.1	15.4
20	7.9	16.6
25	8.6	17.7
30	9.3	18.9
35	10.0	20.0

Temperature table
MR: 0...+50 °C

°C	U _A [V]	I _A [mA]
0	0.0	4.0
5	1.0	5.6
10	2.0	7.2
15	3.0	8.8
20	4.0	10.4
25	5.0	12.0
30	6.0	13.6
35	7.0	15.2
40	8.0	16.8
45	9.0	18.4
50	10.0	20.0

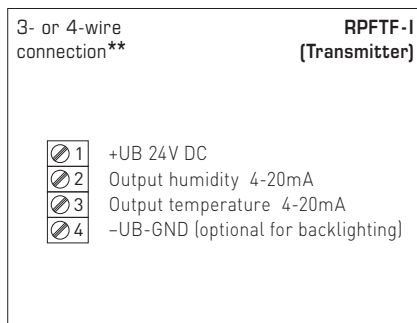
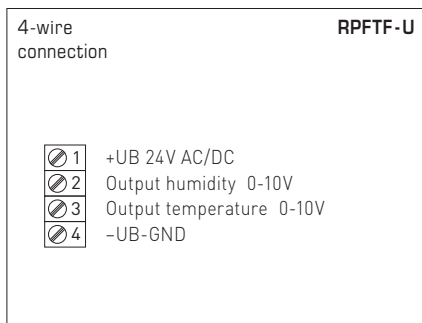
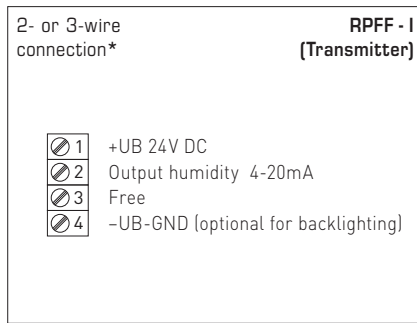
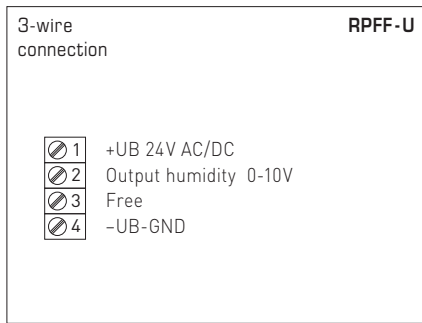
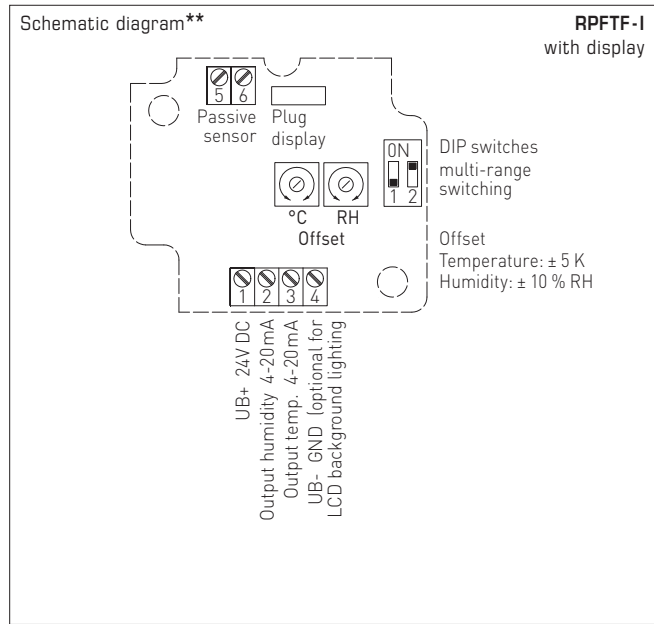
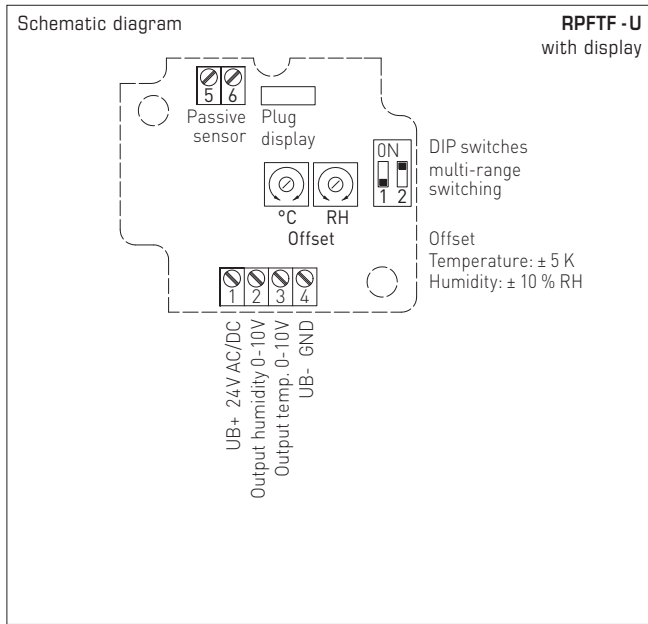
Temperature table
MR: 0...+80 °C

°C	U _A [V]	I _A [mA]
0	0.0	4.0
5	0.6	5.0
10	1.3	6.0
15	1.9	7.0
20	2.5	8.0
25	3.1	9.0
30	3.8	10.0
35	4.4	11.0
40	5.0	12.0
45	5.6	13.0
50	6.3	14.0
55	6.9	15.0
60	7.5	16.0
65	8.1	17.0
70	8.8	18.0
75	9.4	19.0
80	10.0	20.0

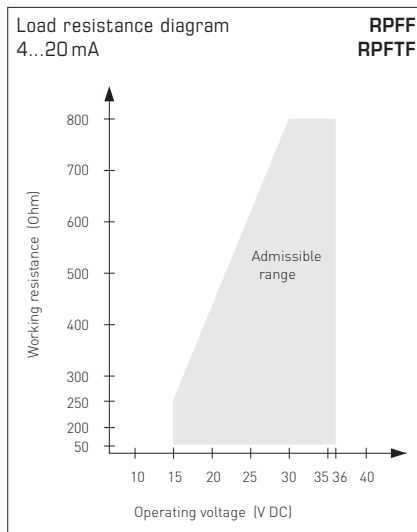
Humidity table
MR: 0...100% RH

% RH	U _A [V]	I _A [mA]
0	0.0	4.0
5	0.5	4.8
10	1.0	5.6
15	1.5	6.4
20	2.0	7.2
25	2.5	8.0
30	3.0	8.8
35	3.5	9.6
40	4.0	10.4
45	4.5	11.2
50	5.0	12.0
55	5.5	12.8
60	6.0	13.6
65	6.5	14.4
70	7.0	15.2
75	7.5	16.0
80	8.0	16.8
85	8.5	17.6
90	9.0	18.4
95	9.5	19.2
100	10.0	20.0

Pendulum room humidity and temperature sensors ($\pm 2.0\%$),
calibratable, with multi-range switching
and active output



Temperature measuring ranges (adjustable)	DIP 1	DIP 2
-35...+75 °C	ON	ON
-35...+35 °C	OFF	OFF
0...+50 °C (default)	OFF	ON
0...+80 °C	ON	OFF



Connection*:
2-wire connection for devices with / without display (not illuminated)
3-wire connection for devices with illuminated display

Connection**:
3-wire connection for devices with / without display (not illuminated)
4-wire connection for devices with illuminated display

For the **I variant** the humidity path must be connected!



RPFF
RPFTF
with display



HYGRASGARD® RPFF Pendulum room humidity sensors ($\pm 2.0\%$), *Premium*
HYGRASGARD® RPFTF Pendulum room humidity and temperature sensors ($\pm 2.0\%$), *Premium*

Type / WG01	Measuring Range / Readout		Output		Item No.	Price
	Humidity	Temperature	Humidity	Temperature		
RPFF						
RPFF-I	0...100% RH	-	4...20 mA	-	1201-1172-0000-100	212,73 €
RPFF-U	0...100% RH	-	0-10 V	-	1201-1171-0000-100	212,73 €
RPFTF						
RPFTF-I	0...100% RH	-35...+75 °C -35...+35 °C 0...+50 °C 0...+80 °C	4...20 mA	4...20 mA	1201-1172-1000-100	217,50 €
RPFTF-U	0...100% RH	-35...+75 °C -35...+35 °C 0...+50 °C 0...+80 °C	0-10 V	0-10 V	1201-1171-1000-100	217,50 €
Extra charge:	Two-line display with illumination Cable length (KL = 2 m), other lengths optional up to max. 5 m					53,37 €
Optional:	Cable connection with M12 connector according to DIN EN 61076-2-101					on request

ACCESSORIES						
SF-M	Metal sinter filter , \varnothing 16 mm, L = 32 mm, exchangeable stainless steel V4A (1.4404)				7000-0050-2200-100	45,34 €
MF-16-K	Mounting flange , plastic				7100-0030-0000-000	10,24 €

For further information see last chapter!