

Screw-in / smoke gas temperature measuring transducer, with neck tube, calibratable, with multi-range switching and active output

RGTM 2
Basic unit

Calibratable smoke gas / screw-in temperature measuring transducer with neck tube **THERMASGARD® RGTM 2** with eight switchable measuring ranges and continuous output, with connecting head made from aluminium (optionally with **cable gland** or **M12 connector** according to DIN EN 61076-2-101), spring-mounted measuring insert and straight protective tube.

The duct sensor is used to detect high temperatures in gaseous or liquid media, eg. for exhaust air or smoke gas temperature measurement.

The sensor is factory-calibrated; an environmental precision adjustment by an expert is possible.

TECHNICAL DATA

Power supply:	24 V AC / DC (± 10 %) for U variant 15...36 V DC for I variant, depending on working resistance, residual ripple stabilised ± 0.3 V
Working resistance:	$R_a \text{ (Ohm)} = (U_b - 14 \text{ V}) / 0.02 \text{ A}$ for I variant
Load resistance:	RL > 5 kOhm for U variant
Power consumption:	< 1.0 VA / 24 V AC / DC; < 0.55 VA / 24 V DC
Sensor:	Pt1000 (according to DIN EN 60 751, class B) (Perfect Sensor Protection)
Measuring ranges:	multi-range switching with 8 switchable measuring ranges, see table (other ranges optional) with manual zero point correction (± 10K)
Accuracy, temperature:	typically ± 0.2 K at +25 °C
Output:	0 - 10 V or 4...20 mA
Connection type:	2- or 3-wire connection
Electrical connection:	0.2 - 1.5 mm ² , via push-in terminal
Cable connection:	RGTM 2 (Standard) adjusting screw made of metal (M 20 x 1.5); RGTM 2-KV (optional) cable gland, brass, nickel-plated (M 20 x 1.5; with strain relief, exchangeable, inner diameter 6 - 12 mm) RGTM 2-Q (optional) M12 connector according to DIN EN 61076-2-101 (male, 5-pin, A-code)
Dimensions:	see dimensional drawing
Connecting head:	form B, material aluminium, colour white aluminium (similar to RAL 9006), ambient temperature -30...+70 °C
Protective tube:	stainless steel, V4A (1.4571), G ½" straight pipe thread, wrench size 27 mm, p _{max} = 40 bar, Ø = 8 mm length of neck tube (HL) = 80 mm inserted length (EL) = 100 - 400 mm (see table)
Process connection:	screwed socket with G ½"
Humidity:	< 95 % RH, non-precipitating air
Protection class:	III (according to EN 60 730)
Protection type:	IP 54 (according to EN 60 529) RGTM 2 IP 65 (according to EN 60 529) RGTM 2-KV / RGTM 2-Q
Standards:	CE conformity according to EMC directive 2014 / 30 / EU



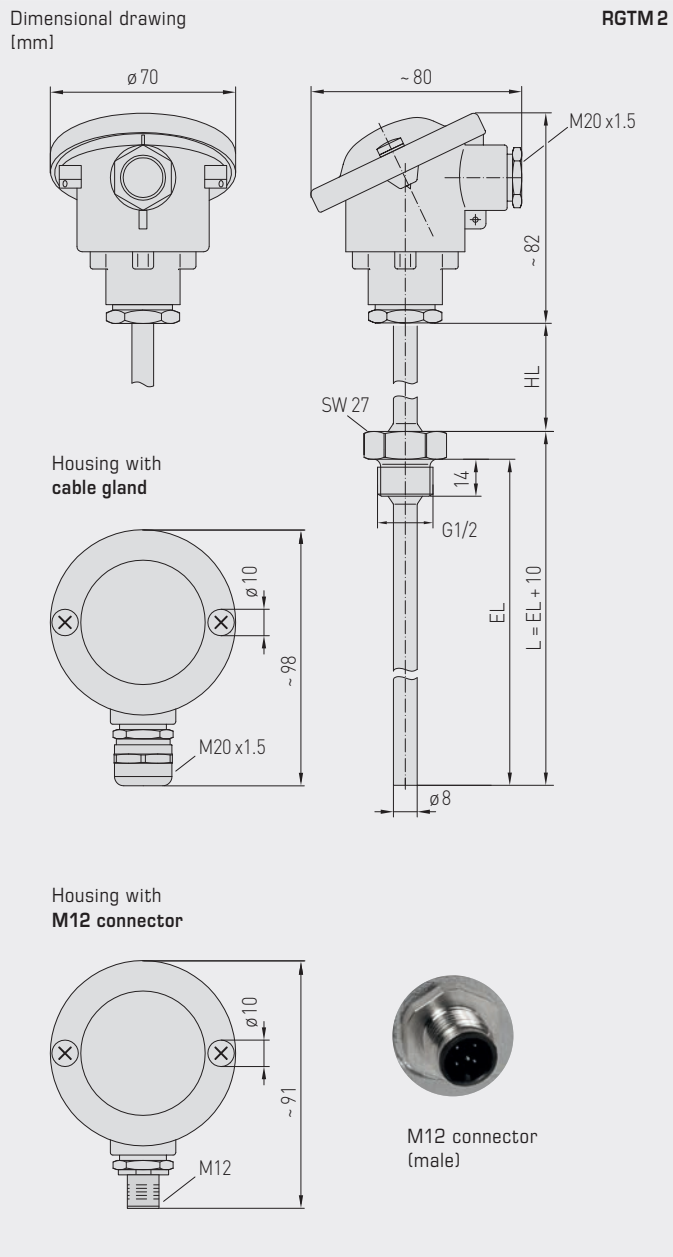
RGTM 2
Measuring insert with ceramic tubelet



S+S REGELTECHNIK

THERMASGARD® RGTM 2

Screw-in / smoke gas temperature measuring transducer, with neck tube, calibratable, with multi-range switching and active output



High-performance encapsulation against vibration, mechanical stress and humidity

S+ PS-PROTECTION
PERFECT SENSOR PROTECTION

RGTM 2
standard
(IP 54)



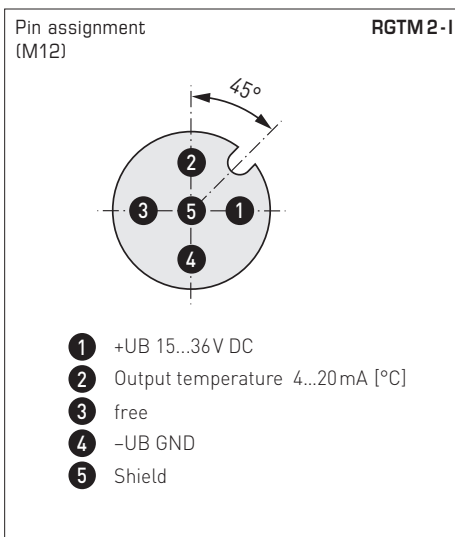
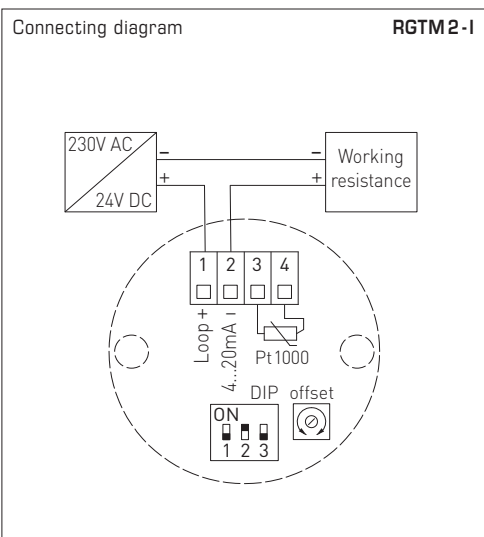
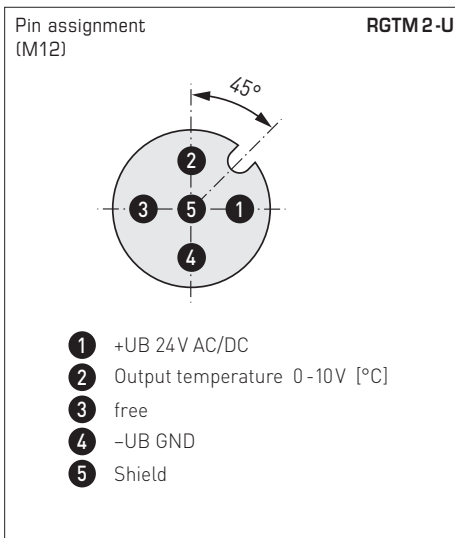
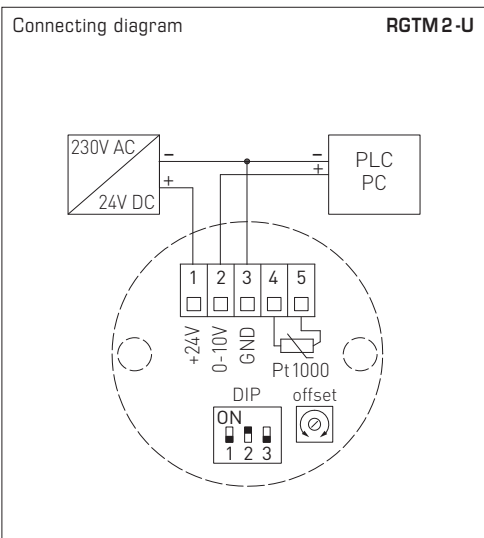
RGTM 2 - KV
with cable gland
(IP 65)



RGTM 2 - Q
with M12 connector
(IP 65)



Screw-in / smoke gas temperature measuring transducer,
with neck tube, calibratable, with multi-range switching
and active output



Measuring ranges (adjustable)	DIP 1	DIP 2	DIP 3
-20...+150 °C	ON	ON	ON
0...+50 °C (default)	OFF	ON	ON
0...+100 °C	ON	OFF	ON
0...+200 °C	OFF	OFF	ON
0...+300 °C	ON	ON	OFF
0...+400 °C	OFF	ON	OFF
0...+500 °C	ON	OFF	OFF
0...+600 °C	OFF	OFF	OFF



S+S REGELTECHNIK

THERMASGARD® RGTM 2

Screw-in / smoke gas temperature measuring transducer,
with neck tube, calibratable, with multi-range switching
and active output

RGTM 2
standard
(IP 54)



THERMASGARD® RGTM 2		Screw-in / smoke gas temperature measuring transducer with neck tube (standard)		
Type / WG01	Output	Installation length (EL)	Item No.	Price
RGTM 2 - I			IP 54, I - variant	
RGTM2-I 100/80mm	4...20 mA	100 mm	1101-2162-0029-810	300,02 €
RGTM2-I 150/80mm	4...20 mA	150 mm	1101-2162-0039-810	305,46 €
RGTM2-I 200/80mm	4...20 mA	200 mm	1101-2162-0049-810	308,18 €
RGTM2-I 250/80mm	4...20 mA	250 mm	1101-2162-0059-810	320,46 €
RGTM2-I 300/80mm	4...20 mA	300 mm	1101-2162-0069-810	324,55 €
RGTM2-I 400/80mm	4...20 mA	400 mm	1101-2162-0089-810	325,93 €
RGTM 2 - U			IP 54, U - variant	
RGTM2-U 100/80mm	0 - 10 V	100 mm	1101-2161-0029-810	300,02 €
RGTM2-U 150/80mm	0 - 10 V	150 mm	1101-2161-0039-810	305,46 €
RGTM2-U 200/80mm	0 - 10 V	200 mm	1101-2161-0049-810	308,18 €
RGTM2-U 250/80mm	0 - 10 V	250 mm	1101-2161-0059-810	320,46 €
RGTM2-U 300/80mm	0 - 10 V	300 mm	1101-2161-0069-810	324,55 €
RGTM2-U 400/80mm	0 - 10 V	400 mm	1101-2161-0089-810	325,93 €
Housing variant:	equipped as standard with pressure screw (IP 54), optional housing variants with cable gland (IP 65) or M12 connector (IP 65) see the next page!			
Extra charge:	other measuring ranges optional			27,21 €

Screw-in / smoke gas temperature measuring transducer, with neck tube, calibratable, with multi-range switching and active output

RGTM 2 - Q
with M12 connector (IP 65)



THERMASGARD® RGTM 2 - Q		Screw-in / smoke gas temperature measuring transducer with neck tube (with M12 connector)			
Type / WG01	Output	Installation length (EL)	Q	Item No.	Price
RGTM 2-I xx Q			IP 65, I - variant		
RGTM2-I 100/80mm Q	4...20 mA	100 mm	●	2001-4141-2100-011	344,93 €
RGTM2-I 150/80mm Q	4...20 mA	150 mm	●	2001-4141-2100-021	350,39 €
RGTM2-I 200/80mm Q	4...20 mA	200 mm	●	2001-4141-2100-031	354,36 €
RGTM2-I 250/80mm Q	4...20 mA	250 mm	●	2001-4141-2100-041	365,36 €
RGTM2-I 300/80mm Q	4...20 mA	300 mm	●	2001-4141-2100-051	369,45 €
RGTM2-I 400/80mm Q	4...20 mA	400 mm	●	2001-4141-2100-061	370,84 €
RGTM 2-U xx Q			IP 65, U - variant		
RGTM2-U 100/80mm Q	0 - 10 V	100 mm	●	2001-4141-1100-011	344,93 €
RGTM2-U 150/80mm Q	0 - 10 V	150 mm	●	2001-4141-1100-021	350,39 €
RGTM2-U 200/80mm Q	0 - 10 V	200 mm	●	2001-4141-1100-031	354,36 €
RGTM2-U 250/80mm Q	0 - 10 V	250 mm	●	2001-4141-1100-041	365,36 €
RGTM2-U 300/80mm Q	0 - 10 V	300 mm	●	2001-4141-1100-051	369,45 €
RGTM2-U 400/80mm Q	0 - 10 V	400 mm	●	2001-4141-1100-061	370,84 €
Housing variant "Q":	Cable connection with M12 connector (male, 5-pin, A-code)				
Extra charge:	other measuring ranges optional				27,21 €

ACCESSORIES

Special accessories for M12 connector
see chapter Accessories!



S+S REGELTECHNIK

THERMASGARD® RGTM 2

Screw-in / smoke gas temperature measuring transducer,
with neck tube, calibratable, with multi-range switching
and active output

RGTM 2 - KV
with cable gland
(IP 65)



THERMASGARD® RGTM 2 - KV		Screw-in / smoke gas temperature measuring transducer with neck tube (with cable gland)		
Type / WG01	Output	Installation length (EL)	Item No.	Price
RGTM 2 - I xx KV			IP 65, I - variant	
RGTM2-I 100/80mm KV	4...20 mA	100 mm	1101-21D2-0029-810	310,13 €
RGTM2-I 150/80mm KV	4...20 mA	150 mm	1101-21D2-0039-810	315,57 €
RGTM2-I 200/80mm KV	4...20 mA	200 mm	1101-21D2-0049-810	318,29 €
RGTM2-I 250/80mm KV	4...20 mA	250 mm	1101-21D2-0059-810	330,58 €
RGTM2-I 300/80mm KV	4...20 mA	300 mm	1101-21D2-0069-810	334,66 €
RGTM2-I 400/80mm KV	4...20 mA	400 mm	1101-21D2-0089-810	336,02 €
RGTM 2 - U xx KV			IP 65, U - variant	
RGTM2-U 100/80mm KV	0 - 10 V	100 mm	1101-21D1-0029-810	310,13 €
RGTM2-U 150/80mm KV	0 - 10 V	150 mm	1101-21D1-0039-810	315,57 €
RGTM2-U 200/80mm KV	0 - 10 V	200 mm	1101-21D1-0049-810	318,29 €
RGTM2-U 250/80mm KV	0 - 10 V	250 mm	1101-21D1-0059-810	330,58 €
RGTM2-U 300/80mm KV	0 - 10 V	300 mm	1101-21D1-0069-810	334,66 €
RGTM2-U 400/80mm KV	0 - 10 V	400 mm	1101-21D1-0089-810	336,02 €
Housing variant "KV":		Cable connection with cable gland		
Extra charge:	other measuring ranges optional			27,21 €