

**Room CO2 sensor and measuring transducer,
 self-calibrating, with multi-range switching
 and active/switching output**

Maintenance-free room sensor **AERASGARD® RCO2 - SD** with active output, automatic calibration (fixed), in an elegant plastic housing with snap-on lid, for determining the CO2 content of the air (0...2000ppm). The measuring transducer converts the measured values into a standard signal of 0-10 V.

Maintenance-free room sensor **AERASGARD® RCO2 - W** with active/switching output, automatic calibration (can be deactivated), in an elegant plastic housing with snap-on lid, optional with traffic light indicator (five coloured LEDs), for determining the CO2 content of the air (0...2000 ppm/0...5000 ppm). The measuring transducer converts the measured values into a standard signal of 0-10 V or 4...20 mA (switchable).

The sensor is used in offices, hotels, convention centres, apartments, shops, etc. for the purpose of evaluating the indoor climate. This enables energy-saving room ventilation on an as-needed basis, thereby reducing operating costs and improving well-being. One sensor for every 30 m² of room area is recommended.

The CO2 measurement is performed using an optical **NDIR sensor** (non-dispersive infra-red technology). The detection range is calibrated for standard applications such as monitoring residential rooms and conference rooms.

TECHNICAL DATA

Power supply:	24 V AC / DC (± 10 %)
Power consumption:	< 1.5 W / 24 V DC typical; < 2.9 VA / 24 V AC typical; peak current 200 mA
Sensor:	optical NDIR sensor (non-dispersive infra-red technology), with manual calibration (via zero button), RCO2 - SD with automatic calibration (fixed) RCO2 - W with automatic calibration (can be deactivated via DIP switches)
Measuring range:	RCO2 - SD 0...2000 ppm (fixed) RCO2 - W 0...2000 ppm or 0...5000 ppm (selectable via DIP switches)
Output:	RCO2 - SD 0-10 V (fixed) RCO2 - W 0-10 V or 4...20 mA, working resistance < 800 Ω (selectable via DIP switches), with offset potentiometer (± 10 % of the measuring range)
Relay output:	RCO2 - SD without changeover contact RCO2 - W with potential-free changeover contact (24 V / 1 A)
Accuracy:	typically ± 30 ppm ± 3 % of measured value
Temperature dependence:	± 5 ppm / °C or ± 0.5 % of measured value / °C (whichever is higher)
Pressure dependence:	± 0.13 % / mm Hg
Long-term stability:	< 2 % in 15 years
Gas exchange:	by diffusion
Ambient temperature:	0...+50 °C
Warm up time:	approx. 1 hour
Response time:	< 2 minutes
Electrical connection:	0.14 - 1.5 mm ² , via screw terminals
Housing:	plastic, flame retardant (UL 94 V-0), PC/ABS material, colour white (similar to RAL 9016), stainless steel housing optional V2A (1.4301)
Dimensions:	85 x 85 x 27 mm (Baldur 1) 100 x 100 x 25 mm (stainless steel)
Installation:	wall mounting or on in-wall flush box, Ø 55 mm, base with 4-hole for mounting on vertically or horizontally installed in-wall flush boxes for cable entry from the back, with predetermined breaking point for on-wall cable entry from top / bottom in case of plain on-wall installation
Protection class:	III (according to EN 60 730)
Protection type:	IP 30 (according to EN 60 529)
Standards:	CE conformity according to EMC Directive 2014 / 30 / EU, Low Voltage Directive 2014 / 35 / EU
Optional:	with traffic light indicator (five coloured LEDs, see table) for displaying the CO2 concentration with display (see AERASGARD® RFTM-LQ-CO2) for displaying the actual CO2 content in ppm



S+S REGELTECHNIK

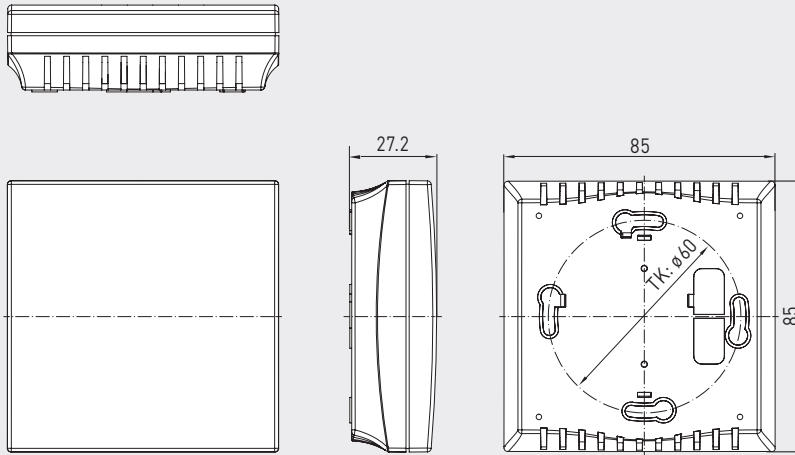
AERASGARD® RC02-W
AERASGARD® RC02-SD

Room CO₂ sensor and measuring transducer,
self-calibrating, with multi-range switching
and active/switching output



Dimensional drawing

RC02-W
RC02-SD

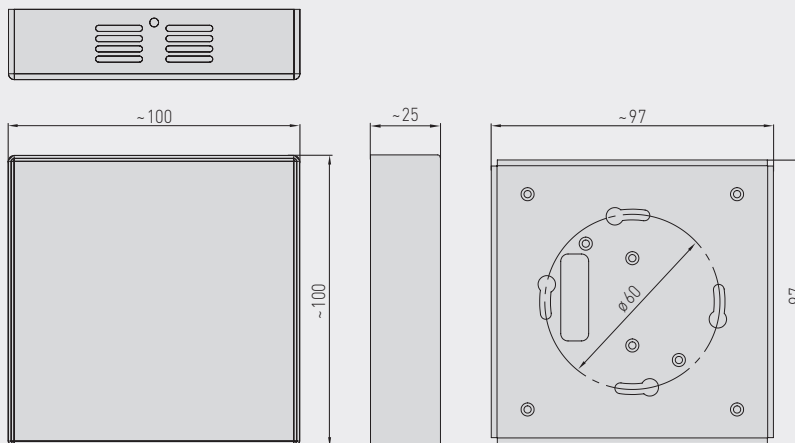


RC02-W
RC02-SD



Dimensional drawing

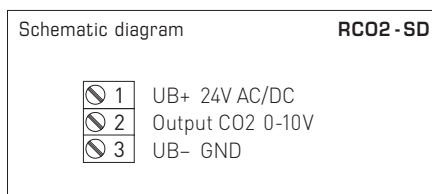
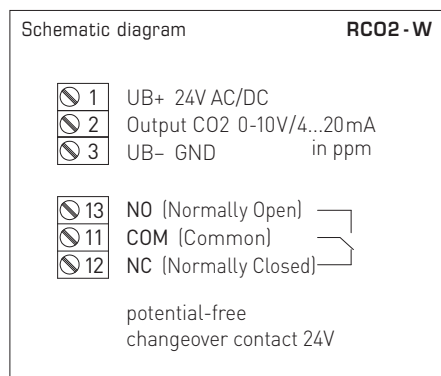
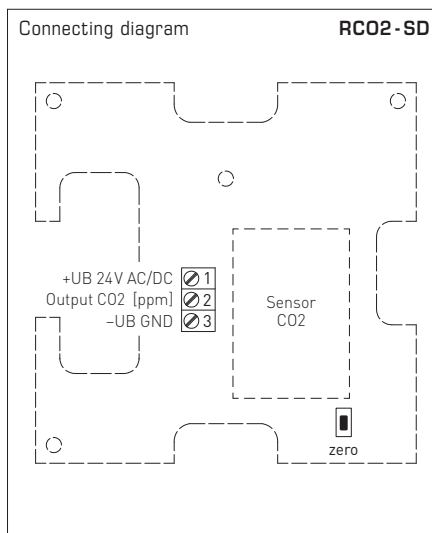
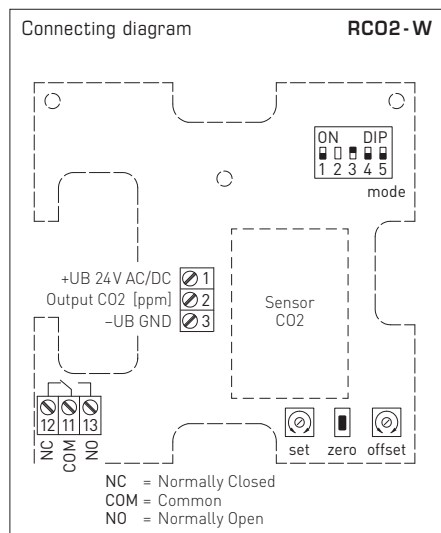
RC02-W VA



RC02-W VA
(stainless steel housing)



Room CO₂ sensor and measuring transducer,
 self-calibrating, with multi-range switching
 and active/switching output



DIP switches RCO2 - W	
CO₂ content	DIP 1
0...2000 ppm (default)	OFF
0...5000 ppm	ON
CO₂ automatic zero point	DIP 3
deactivated	OFF
activated (default)	ON
Output	DIP 4
Voltage 0-10V (default)	OFF
Current 4...20mA	ON
Traffic light (5x LEDs)	DIP 5
deactivated	OFF
activated	ON
Note: DIP 2 is not assigned!	



S+S REGELTECHNIK

AERASGARD® RC02-W
AERASGARD® RC02-SD

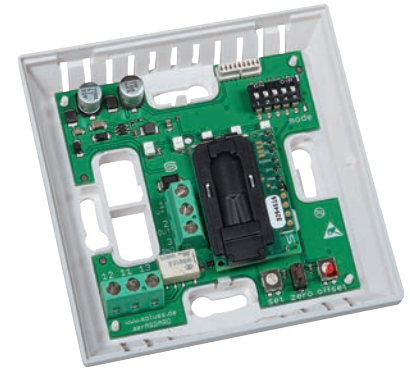
Room CO2 sensor and measuring transducer,
self-calibrating, with multi-range switching
and active/switching output



Traffic light indicator		RC02-W-A				
CO2 content in ppm		LED 1	LED 2	LED 3	LED 4	LED 5
0...2000 ppm	0...5000 ppm	green	green	yellow	yellow	red
350	350	20 %	-	-	-	-
416	536	40 %	-	-	-	-
482	722	60 %	-	-	-	-
548	908	80 %	-	-	-	-
614	1094	100 %	-	-	-	-
680	1280		20 %	-	-	-
746	1466		40 %	-	-	-
812	1652		60 %	-	-	-
878	1838		80 %	-	-	-
944	2024		100 %	-	-	-
1010	2210			20 %	-	-
1076	2396			40 %	-	-
1142	2582			60 %	-	-
1208	2768			80 %	-	-
1274	2954			100 %	-	-
1340	3140				20 %	-
1406	3326				40 %	-
1472	3512				60 %	-
1538	3698				80 %	-
1604	3884				100 %	-
1670	4070					20 %
1736	4256					40 %
1802	4442					60 %
1868	4628					80 %
1934	4814					100 %
2000	5000					

Once the aforementioned values have been reached, the respective LED becomes active (with increasing luminosity of 20%, 40%, 60%, 80% and 100%); LEDs that are already active continue to be illuminated.

RC02-W-A
with LEDs



AERASGARD® RC02-SD Room CO2 sensor and measuring transducer, *Standard*
AERASGARD® RC02-W Room CO2 sensor and measuring transducer, *Premium*

Type / WG02	Measuring Range CO2	Output CO2	Equipment	Display	Item No. (Baldur 1)	Price
RC02-SD	(fixed)	(fixed)				
RC02-SD-U	0...2000 ppm	0-10 V	-		1501-61A0-1001-200	224,64 €
RC02-W	(switchable)	(switchable)				
RC02-W	0...2000 ppm / 0...5000 ppm	0-10 V / 4...20 mA	Changeover contact		1501-61A0-7301-200	266,13 €
RC02-W VA	0...2000 ppm / 0...5000 ppm	0-10 V / 4...20 mA	Changeover contact, stainless steel housing		1501-61A0-7301-205	380,35 €
RC02-W LCD	0...2000 ppm / 0...5000 ppm	0-10 V / 4...20 mA	Changeover contact, display	■ see RFTM-LQ-CO2		
RC02-W-A	(switchable)	(switchable)			with traffic light	
RC02-W-A	0...2000 ppm / 0...5000 ppm	0-10 V / 4...20 mA	Changeover contact, LEDs		1501-61A0-7331-200	312,76 €

A = with "traffic light" (five coloured LEDs) for displaying the CO2 concentration.

Note: This unit **must not** be used as safety-relevant device!