

**Pendulum airflow sensor / airflow monitor, electronic,  
on-wall housing with external duct probe, incl. mounting flange,  
with active / switching output**

Electronic pendulum airflow sensor **RHEASGARD® PLGF** with active output, housing made of impact-resistant plastic with quick-locking screws, with cable gland, with/without display, with external duct probe incl. mounting flange, to determine the flow velocity (0.1...20 m/s). The measuring transducer converts the measurement signal into a standard signal of 0 - 10 V.

Electronic pendulum airflow sensor/monitor **RHEASGARD® PLGF** (without display) and **PLGFV** (with display) with active and switching output, housing made of impact-resistant plastic with quick-locking screws, with cable gland, with external duct probe incl. mounting flange, to determine the flow velocity (0.1...20 m/s). For unit type **PLGFV**, the calculated volume flow parameter can be retrieved as an alternative to the flow (configurable on the display). The measuring transducer automatically detects the required output type and converts the measurands into the required standard signal of 0 - 10 V or 4...20 mA (**Automatic Output Switching**).

Electronic pendulum airflow monitor **RHEASREG® PLSW** with switching output, housing made of impact-resistant plastic with quick-locking screws, with cable gland, with/without display, with external duct probe incl. mounting flange, to determine the flow velocity (0.1...20 m/s).

The flow sensors are suitable for monitoring or controlling airflows in ducts, at fans and dampers, for flow-dependent monitoring of humidifiers and electric heating registers according to DIN 57100, Sect. 420, or for use in connection with DDC systems.

#### TECHNICAL DATA

Power supply:	24 V AC / DC (± 10 %)	
Current consumption:	approx. 3 VA ( <b>PLGF, PLSW-W24</b> ) approx. 4 VA ( <b>PLGF, PLGFV</b> )	
Data points:	flow velocity [m/s], volume flow [m³/h]	
Outputs:	<b>PLGF</b>	1x 0-10 V (U variant)
	<b>PLGF(V)</b>	1x 0-10V / 4...20mA (via <b>Automatic Output Switching</b> – the unit recognises the required output type and automatically switches to U or I output); 24 V changeover contact (max. 5 A, cos φ = 1.0)
	<b>PLSW-W24</b>	24 V changeover contact (max. 5 A, cos φ = 1.0)

#### AIRFLOW

Sensor:	calorimetric, temperature compensated, sensor breakage protection, with manual zero-point calibration (via push-button)
Measuring range:	0.1...20 m/s
Accuracy:	0.5 m/s + 3 % measured value
Long-term stability:	± 0.5 % of final value per year
Reproducibility:	± 1.0 % of final value
Switching point:	1...20 m/s, threshold can be adjusted via potentiometer
Switching hysteresis:	2.0 % of final value
Warm-up time:	< 2 min
Response time:	< 5 s
Start-up override:	0 / 60 s ( <b>PLGF/PLSW</b> without display), can be activated via DIP switch 0...120 s ( <b>PLGF/PLSW</b> with display, <b>PLGF/PLGFV</b> ), can be adjusted via potentiometer
Housing:	plastic, UV-resistant, polyamide material, 30 % glass-globe reinforced, with quick-locking screws (slotted / Phillips head combination), colour traffic white (similar to RAL 9016), housing cover for display is transparent!
Housing dimensions:	126 x 90 x 50 mm (Tyr 2)
Cable connection:	<b>cable gland</b> , plastic (M 16 x 1.5; with strain relief, exchangeable, max. inner diameter 10.4 mm)
Electrical connection:	0.2 - 1.5 mm², via push-in terminal
Probe/sensor:	polyamide (PA6) material, white colour (blue sensor holder), with torsion protection, Ø 12 mm, EL = approx. 20-155 mm, v <sub>max</sub> = 30 m/s (air)
Sensor cable:	PVC LiYY, 5-wire, KL = approx. 2.4 m
Process connection:	by means of mounting flange with seal (included in the scope of delivery)
Mounting:	on-wall housing with external duct probe – observe flow direction!
Ambient temperature:	storage -20...+50 °C; operation 0...+50 °C
Medium temperature:	0...+70 °C
Permitted humidity:	< 98 % RH, non-precipitating air free of harmful substances
Protection class:	III (according to EN 60 730) where UB = 24 V
Protection type:	<b>IP 65</b> (according to EN 60 529) housing; IP20 sensor technology
Standards:	CE conformity according to EMC Directive 2014 / 30 / EU
Optional:	<b>display with illumination</b> , three-line, cutout approx. 70 x 40 mm (W x H), to indicate the flow velocity and volume flow



**NEW**

S+S REGELTECHNIK

RHEASGARD® **PLGFxx**  
RHEASREG® **PLSWxx**

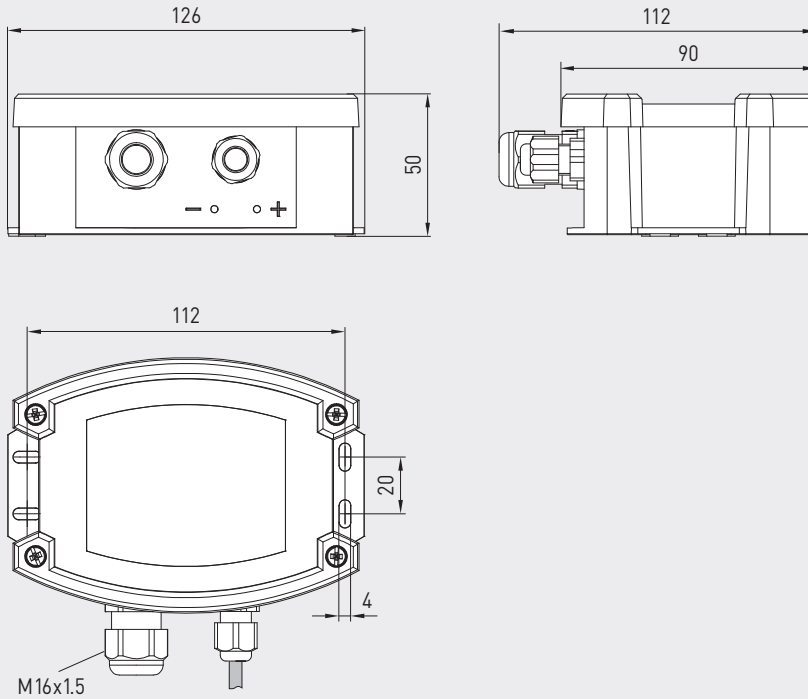
Pendulum airflow sensor/airflow monitor, electronic,  
on-wall housing with external duct probe, incl. mounting flange,  
with active/switching output



Dimensional drawing  
[mm]

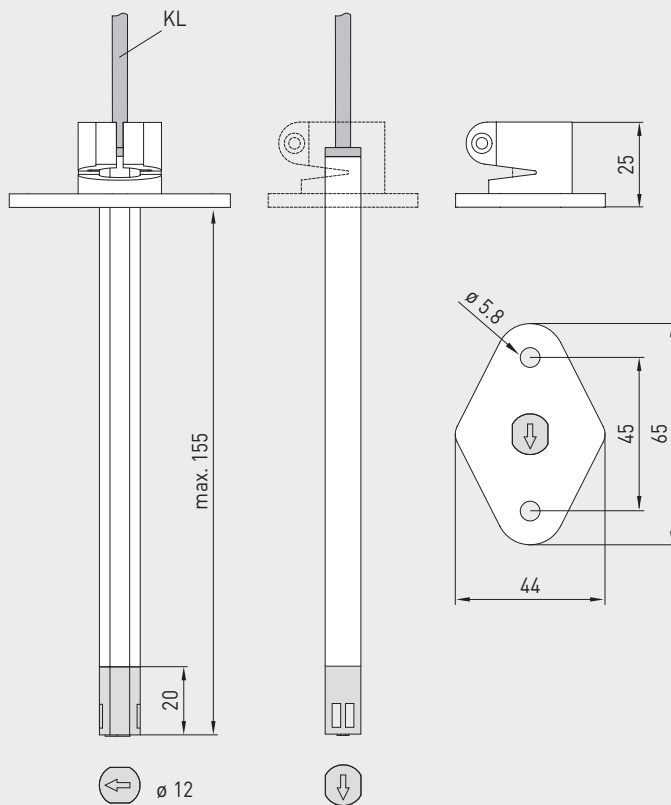
**PLGF  
PLSW**  
Housing

**PLGF  
PLSW**  
Housing with  
external probe



Dimensional drawing  
[mm]

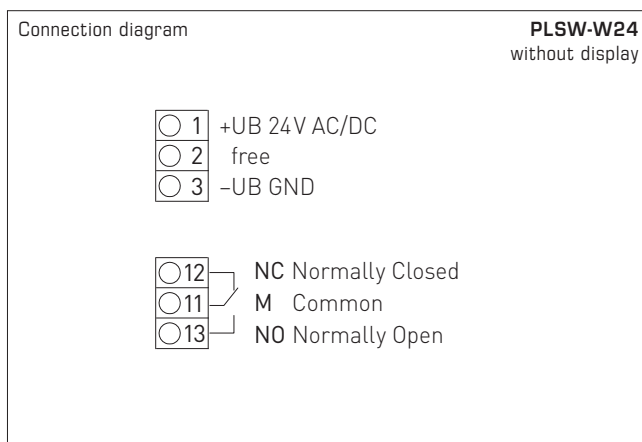
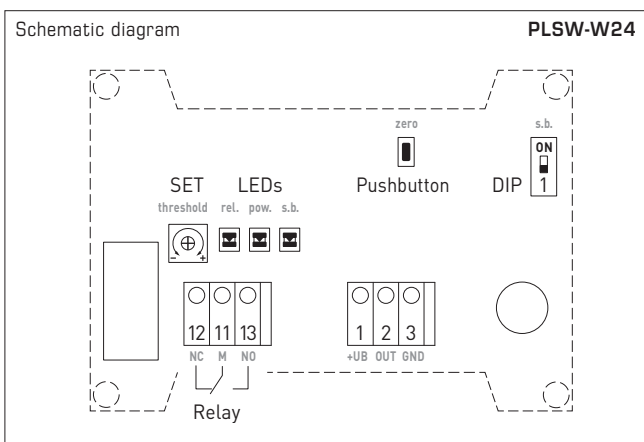
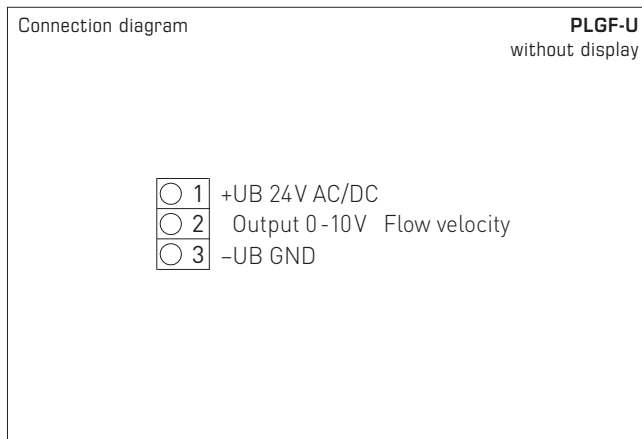
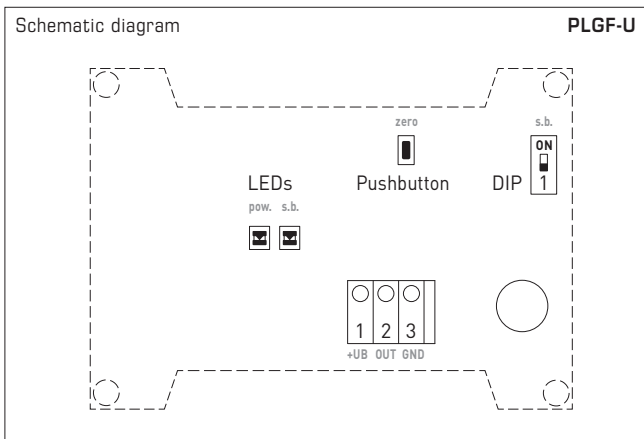
**PLGF  
PLSW**  
Probe



Automatic detection and switching  
to standard signal 0...10V or 4...20mA

**AOS-PATENTED**  
AUTOMATIC OUTPUT SWITCHING

Pendulum airflow sensor/airflow monitor, electronic,  
on-wall housing with external duct probe, incl. mounting flange,  
with active/switching output



**PLSW-W24**  
with changeover contact,  
UB = 24V

**PLGF-U**  
with output 0-10V,  
UB = 24V



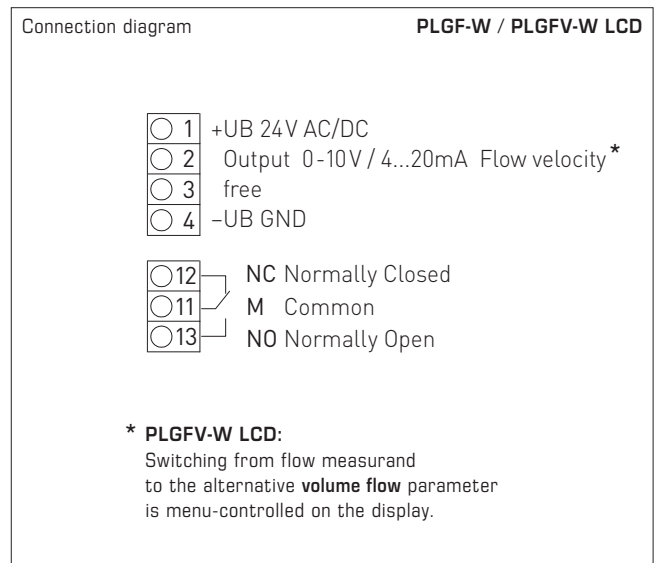
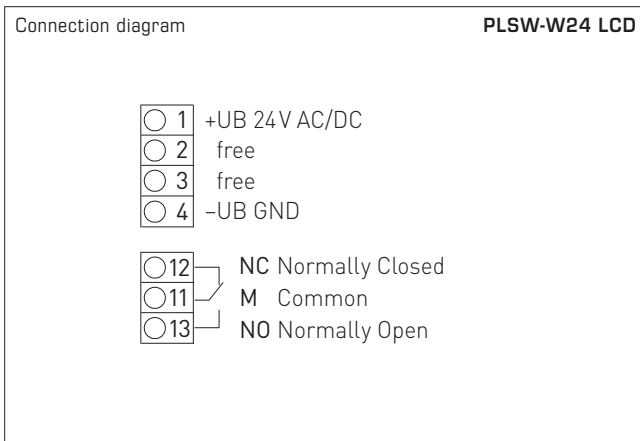
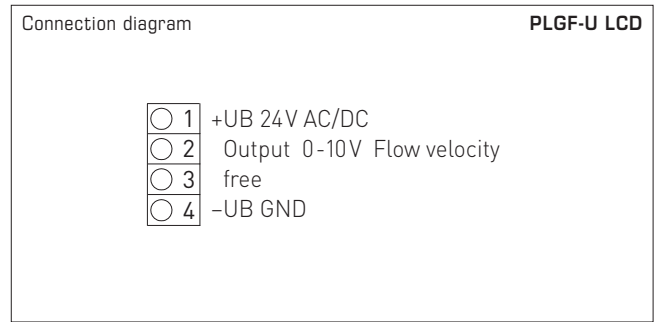
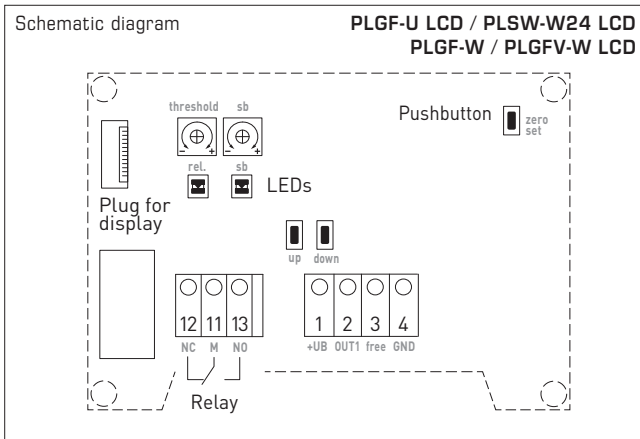


S+S REGELTECHNIK

**NEW**

RHEASGARD® **PLGFxx**  
RHEASREG® **PLSWxx**

Pendulum airflow sensor / airflow monitor, electronic,  
on-wall housing with external duct probe, incl. mounting flange,  
with active / switching output



RHEASGARD® <b>PLGF</b>	Pendulum airflow sensor, electronic, with active output
RHEASGARD® <b>PLGF(V)-W</b>	Pendulum airflow sensor, electronic, with active and switching output
RHEASREG® <b>PLSW-W24</b>	Pendulum airflow monitor, electronic, with switching output

Type / WG01	Power supply	Output active	Output switching	additional Parameters	Display	Item no.	Price
<b>PLGF</b>		<b>U variant</b>					
PLGF-U	24V AC/DC	1x 0-10V	-	-		1701-6111-0101-000	<b>253,07 €</b>
PLGF-U LCD	24V AC/DC	1x 0-10V	-	-	■	1701-6111-1101-000	<b>318,30 €</b>
Optional:	Cable connection with <b>M12 connector</b> according to DIN EN 61076-2-101					on request	
<b>PLGF(V)-W</b>		<b>AOS</b>					
PLGF-W	24V AC/DC	1x 0-10V / 4...20mA	1 changeover contact	-		1701-6118-0100-001	<b>320,56 €</b>
PLGFV-W LCD	24V AC/DC	1x 0-10V / 4...20mA	1 changeover contact	<b>V</b>	■	1701-6118-1300-001	<b>394,79 €</b>
<b>PLSW-W24</b>							
PLSW-W24	24V AC/DC	-	1 changeover contact	-		1701-6113-0101-001	<b>221,58 €</b>
PLSW-W24 LCD	24V AC/DC	-	1 changeover contact	-	■	1701-6113-1101-001	<b>275,57 €</b>

Note: **Changeover contact** with automatic reset (relay opens automatically when value falls below the threshold again)

**AOS (Automatic Output Switching)** = patented analogue interface (patent no. DE 10 2015 015 941 B4), the unit automatically detects the required output type 0-10 V or 4...20 mA

**V = volume flow** (0...200,000 m³/h) – alternative parameter, can be configured via display!