

**Room temperature sensor or measuring transducer,  
in-wall in the panel switch programme,  
with active output**

The room sensor **THERMASGARD® FSTM / FSTM - P** in the in-wall housing, optionally with potentiometer, is used for measuring the room temperature, and for setpoint adjustment. It converts the measured values into a standard signal of 0-10 V. A digital, long-term stable sensor is used for temperature measurement.

The in-wall sensor is mounted in high-quality panel switch programmes, ideally of the brands Gira, Berker, Merten, Jung, Siemens or Busch-Jaeger (using in-wall adapters, no setpoint adjustment possible) either individually or in combination with light switches, socket outlets, etc.

It is used in non-aggressive, dust-free environments, in refrigeration, air conditioning and clean room technology, and in interior rooms, such as living rooms, offices, hotels, etc.

### TECHNICAL DATA

Power supply: 24 V AC / DC (± 10 %)

Power consumption: < 1.1 W / 24 V DC; < 2.2 VA / 24 V AC

### TEMPERATURE

Sensor: **digital temperature sensor,**  
low hysteresis, high long-term stability

Long-term stability: ± 1 % per year

Measuring range: 0...+50 °C

Accuracy, temperature: typically ± 0.8 K at +25 °C

Output, temperature: 0-10 V

### POTENTIOMETER

Output, potentiometer: 0-10 V (**FSTM-P** with setpoint adjustment,  
not possible with Busch-Jaeger)

### GENERAL

Mounting: in-wall flush box Ø 55 mm

Electrical connection: 1,0-2,5 mm<sup>2</sup>, via plug terminals

Ambient temperature: Storage -35...+85 °C;  
Operation 0...+50 °C

Permitted humidity: max. 90 % RH, non-precipitating air

Medium: clean air and other non-aggressive, non-combustible gases

Protection class: III (according to EN 60 730)

Protection type: **IP 20** (according to 60 529)

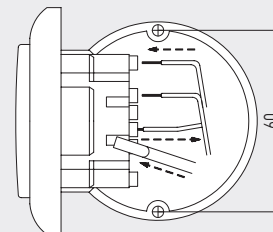
Standards: CE conformity according to EMC Directive 2014 / 30 / EU

### SWITCH PROGRAMME

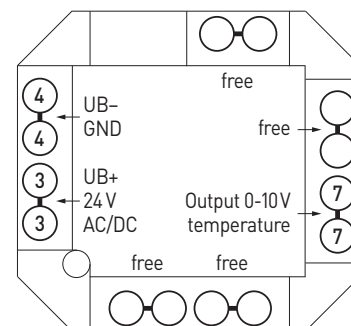
Manufacturer: GIRA System 55  
(other switch programmes, manufacturers, colours  
as well as prices available upon request)

Housing: plastic,  
the standard colour is pure glossy white (similar to RAL 9010)  
(other colours are available upon request with colour variants  
depending on the respective light switch programme)

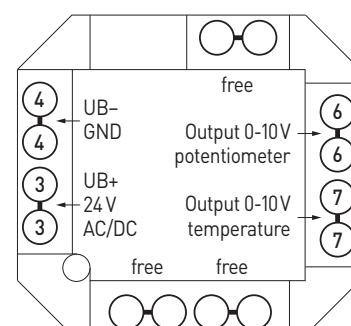
Mounting diagram [mm] **in-wall**



Connection diagram **FSTM**



Connection diagram **FSTM - P**





S+S REGELTECHNIK

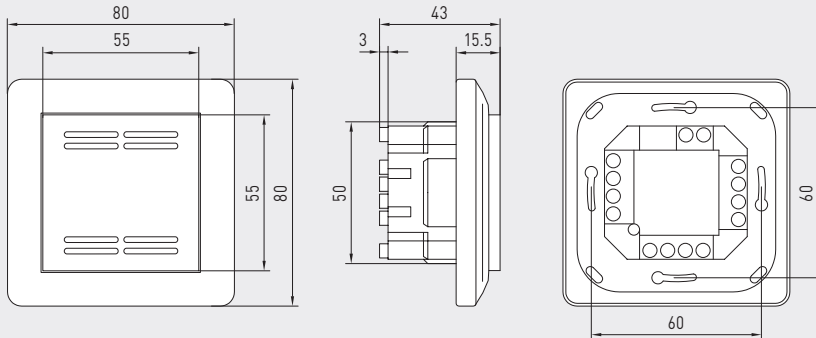
THERMASGARD® FSTM  
THERMASGARD® FSTM-P

Room temperature sensor or measuring transducer,  
in-wall in the panel switch programme,  
with active output



Dimensional drawing  
[mm]

FSTM

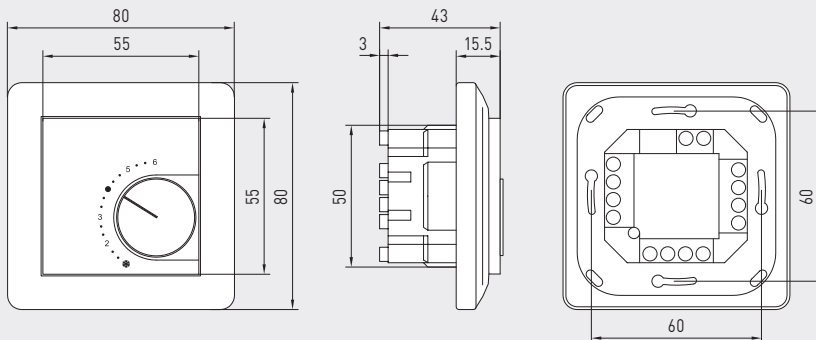


FSTM  
Standard



Dimensional drawing  
[mm]

FSTM-P



FSTM-P  
with potentiometer



Temperature table  
MR: 0...+50 °C

°C	U <sub>A</sub> [V]
0	0.0
5	1.0
10	2.0
15	3.0
20	4.0
25	5.0
30	6.0
35	7.0
40	8.0
45	9.0
50	10.0

THERMASGARD® FSTM Room temperature sensor or measuring transducer, in-wall  
THERMASGARD® FSTM-P Room temperature sensor or measuring transducer, in-wall with potentiometer

Type / WG02	Measuring Range Temperature	Output Temperature	Potentiometer	Item No.	Price
<b>FSTM</b>					
FSTM-U	0...+50 °C	0-10V	-	1101-9121-0000-162	134,62 €
<b>FSTM-P</b>					
FSTM-U P	0...+50 °C	0-10V	0-10V	1101-9121-0004-282	160,01 €